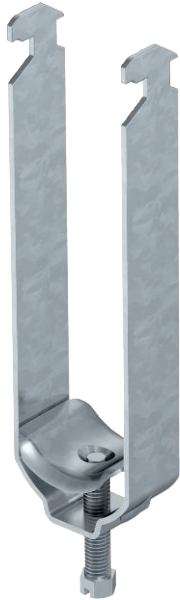


Technical data sheet

Clamp clip, triple, metal pressure trough

Item no. 1156268



Clamp clip with metal pressure trough, triple, 12-16 mm

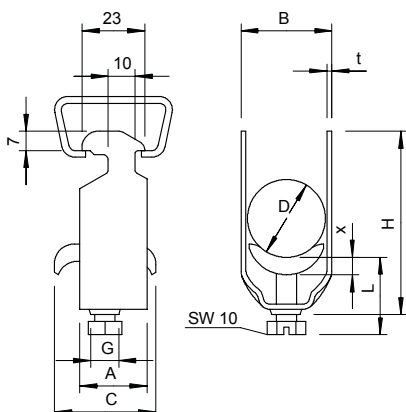


- St** Steel
- FT** Hot-dip galvanised

Master data

| | |
|--------------------------|-----------------------------|
| Item no. | 1156268 |
| Type | 2056 M3 16 FT |
| Description 1 | Clamp clip |
| Description 2 | metal pressure sump, triple |
| Dimension | 12-16mm |
| Material | Steel |
| Material symbol | St |
| Surface | Hot-dip galvanised |
| Surface to DIN | DIN EN ISO 1461 |
| Surface symbol | FT |
| Smallest sales unit (VG) | 50 Piece |
| Weight | 5,80 kg/100 pc. |

Technical data



| | |
|--------------------------|-------------------------------------|
| Dimension A | 23,00 mm |
| Dimension B | 20,00 mm |
| Dimension C | 34 mm |
| Dimension G | M6 |
| Dimension H | 82,00 mm |
| Dimension L | 47,00 mm |
| Dimension t | 1,50 mm |
| Dimension x | 5,00 mm |
| Number of cables/pipes | 3 |
| Max. tightening torque | 3,00 Nm |
| for pipe diameter | 16 mm |
| for rail with slot width | 16,00 - 17,00 mm |
| Halogen-free | <input type="checkbox"/> |
| With plastic trough | <input type="checkbox"/> |
| With metal trough | <input checked="" type="checkbox"/> |
| Mounting type | Profile rail |
| Impact-resistant | <input type="checkbox"/> |
| Clamping range D | 12,00 - 16,00 mm |

Technical data sheet

Clamp clip, triple, metal pressure trough

Item no. 1156268



Technical data

| | |
|-------------------|----------------|
| Surface addition | hot galvanised |
| Material addition | Steel |