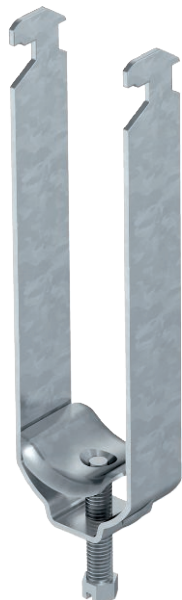


# Technical data sheet

## Clamp clip, triple, metal pressure trough

Item no. 1156241



Clamp clip with metal pressure trough, triple, 8-12 mm

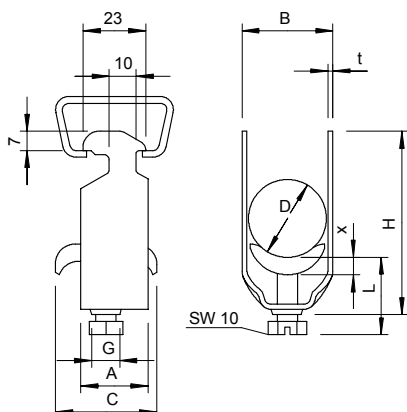


<b>St</b>	Steel
<b>FT</b>	Hot-dip galvanised

### Master data

Item no.	1156241
Type	2056 M3 12 FT
Description 1	Clamp clip
Description 2	metal pressure sump, triple
Dimension	8-12mm
Material	Steel
Material symbol	St
Surface	Hot-dip galvanised
Surface to DIN	DIN EN ISO 1461
Surface symbol	FT
Smallest sales unit (VG)	50 Piece
Weight	4,05 kg/100 pc.

### Technical data



Dimension A	23,00 mm
Dimension B	16,00 mm
Dimension C	34 mm
Dimension G	M6
Dimension H	70,00 mm
Dimension L	47,00 mm
Dimension t	1,50 mm
Dimension x	5,00 mm
Number of cables/pipes	3
Max. tightening torque	3,00 Nm
for rail with slot width	16,00 - 17,00 mm
Halogen-free	<input type="checkbox"/>
With plastic trough	<input type="checkbox"/>
With metal trough	<input checked="" type="checkbox"/>
Mounting type	Profile rail
Impact-resistant	<input type="checkbox"/>
Clamping range D	8,00 - 12,00 mm
Surface addition	hot galvanised

# Technical data sheet

Clamp clip, triple, metal pressure trough

Item no. 1156241



## Technical data

Material addition | Steel