

# Technical data sheet

## Clamp clip, double, metal pressure trough

Item no. 1156187



Clamp clip with metal pressure trough, double, 12-16 mm

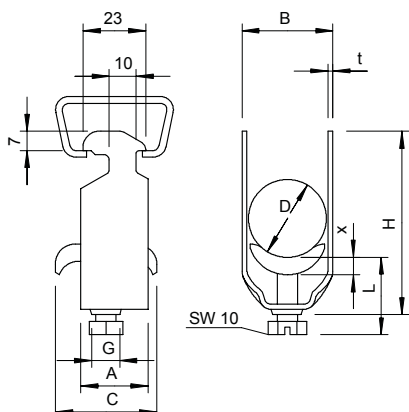


- St** Steel
- FT** Hot-dip galvanised

### Master data

Item no.	1156187
Type	2056 M2 16 FT
Description 1	Clamp clip
Description 2	metal pressure sump, double
Dimension	12-16mm
Material	Steel
Material symbol	St
Surface	Hot-dip galvanised
Surface to DIN	DIN EN ISO 1461
Surface symbol	FT
Smallest sales unit (VG)	50 Piece
Weight	4,75 kg/100 pc.

### Technical data



Dimension A	23,00 mm
Dimension B	20,00 mm
Dimension C	34 mm
Dimension G	M6
Dimension H	61,00 mm
Dimension L	34,00 mm
Dimension t	1,50 mm
Dimension x	5,00 mm
Number of cables/pipes	2
Max. tightening torque	3,00 Nm
for pipe diameter	16 mm
for rail with slot width	16,00 - 17,00 mm
Halogen-free	<input type="checkbox"/>
With plastic trough	<input type="checkbox"/>
With metal trough	<input checked="" type="checkbox"/>
Mounting type	Profile rail
Impact-resistant	<input type="checkbox"/>
Clamping range D	12,00 - 16,00 mm

# Technical data sheet

Clamp clip, double, metal pressure trough

Item no. 1156187



## Technical data

Surface addition	hot galvanised
Material addition	Steel