

Technical data sheet

Clamp clip, double, metal pressure trough

Item no. 1156179



Clamp clip with metal pressure trough, double, 8-12 mm

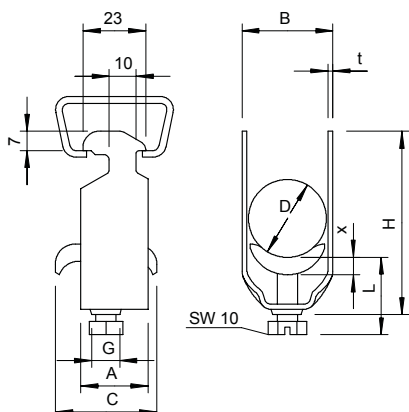


- St** Steel
- FT** Hot-dip galvanised

Master data

Item no.	1156179
Type	2056 M2 12 FT
Description 1	Clamp clip
Description 2	metal pressure sump, double
Dimension	8-12mm
Material	Steel
Material symbol	St
Surface	Hot-dip galvanised
Surface to DIN	DIN EN ISO 1461
Surface symbol	FT
Smallest sales unit (VG)	50 Piece
Weight	3,98 kg/100 pc.

Technical data



Dimension A	23,00 mm
Dimension B	16,00 mm
Dimension C	34 mm
Dimension G	M6
Dimension H	52,00 mm
Dimension L	34,00 mm
Dimension t	1,50 mm
Dimension x	5,00 mm
Number of cables/pipes	2
Max. tightening torque for rail with slot width	3,00 Nm 16,00 - 17,00 mm
Halogen-free	<input type="checkbox"/>
With plastic trough	<input type="checkbox"/>
With metal trough	<input checked="" type="checkbox"/>
Mounting type	Profile rail
Impact-resistant	<input type="checkbox"/>
Clamping range D	8,00 - 12,00 mm
Surface addition	hot galvanised

Technical data sheet

Clamp clip, double, metal pressure trough

Item no. 1156179



Technical data

Material addition | Steel