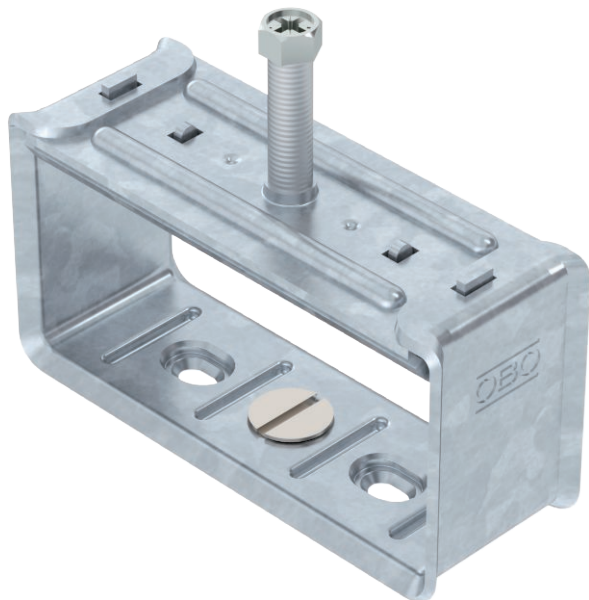


Technical data sheet

Bundle clip

Item no. 1194046



Clip and bolt made of hot-dip galvanised steel, countersunk head bolt made of rustproof stainless steel, slide nut made of electrogalvanised stainless steel.

Stainless steel version: clip and screw made of hot-dip galvanised steel, slide nut, type 5019, made of rust-proof stainless steel.



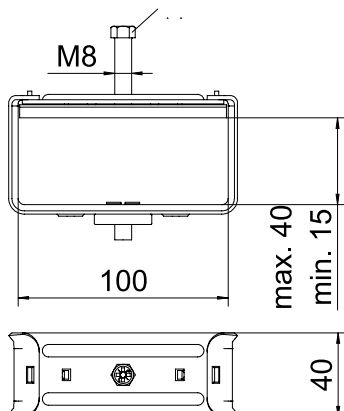
St Steel

FT Hot-dip galvanised

Master data

Item no.	1194046
Type	2056 B 40 FT
Description 1	Bundle clamp
Dimension	40x100mm
Material	Steel
Material symbol	St
Surface	Hot-dip galvanised
Surface to DIN	DIN EN ISO 1461
Surface symbol	FT
Smallest sales unit (VG)	50 Piece
Weight	32,70 kg/100 pc.

Technical data



Dimension B	100,00 mm
Dimension H	40,00 mm
Dimension h	15,00 mm
Height x Width	40 x 100 mm
Halogen-free	<input type="checkbox"/>
With plastic trough	<input type="checkbox"/>
With metal trough	<input checked="" type="checkbox"/>
Mounting type	Profile rail
for rail with slot width	16,00 - 17,00 mm
Surface addition	hot galvanised
Material addition	Steel