

# Technical data sheet

## Clamp clip, single, metal pressure trough

Item no. 1158231



Suitable for all C profile rails with slot width 18 mm and 22 mm.



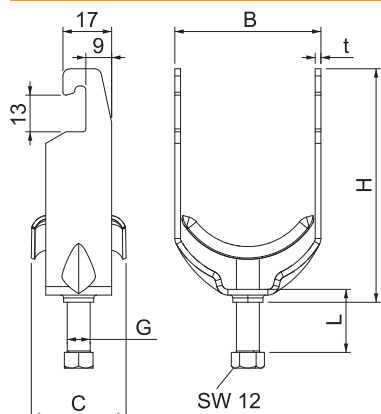
**VA** Stainless steel, rustproof 1.4571

**2B** Bright, reworked

### Master data

|                          |                                      |
|--------------------------|--------------------------------------|
| Item no.                 | 1158231                              |
| Type                     | 2056U M 46 A4                        |
| Description 1            | Clamp clip                           |
| Description 2            | with metal pressure sump             |
| Dimension                | 40-46mm                              |
| Material                 | Stainless steel, material no. 1.4571 |
| Material symbol          | A4                                   |
| Surface                  | Bright, reworked                     |
| Surface symbol           | 2B                                   |
| Smallest sales unit (VG) | 100 Piece                            |
| Weight                   | 10,89 kg/100 pc.                     |

### Technical data



|                          |                                     |
|--------------------------|-------------------------------------|
| Dimension B              | 51,00 mm                            |
| Dimension C              | 40 mm                               |
| Dimension G              | M8                                  |
| Dimension H              | 81,50 mm                            |
| Dimension L              | 28,00 mm                            |
| Dimension t              | 2,00 mm                             |
| Number of cables/pipes   | 1                                   |
| Max. tightening torque   | 5,00 Nm                             |
| for pipe diameter        | 40 mm                               |
| for rail with slot width | 18,00 - 22,00 mm                    |
| Halogen-free             | <input type="checkbox"/>            |
| With plastic trough      | <input type="checkbox"/>            |
| With metal trough        | <input checked="" type="checkbox"/> |
| Mounting type            | Profile rail                        |
| Impact-resistant         | <input type="checkbox"/>            |
| Clamping range D         | 40,00 - 46,00 mm                    |
| Surface addition         | Untreated                           |
| Material addition        | Rustproof steel                     |