

Technical data sheet

Clamp clip, single, metal pressure trough

Item no. 1158207



Suitable for all C profile rails with slot width 18 mm and 22 mm.



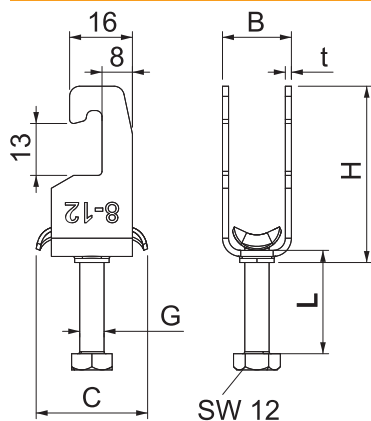
VA Stainless steel, rustproof 1.4571

2B Bright, reworked

Master data

Item no.	1158207
Type	2056U M 12 A4
Description 1	Clamp clip
Description 2	with metal pressure sump
Dimension	8-12mm
Material	Stainless steel, material no. 1.4571
Material symbol	A4
Surface	Bright, reworked
Surface symbol	2B
Smallest sales unit (VG)	100 Piece
Weight	3,30 kg/100 pc.

Technical data



Dimension B	16,00 mm
Dimension C	34 mm
Dimension G	M6
Dimension H	43,50 mm
Dimension L	25,50 mm
Dimension t	1,50 mm
Number of cables/pipes	1
Max. tightening torque for rail with slot width	3,00 Nm 18,00 - 22,00 mm
Halogen-free	<input type="checkbox"/>
With plastic trough	<input type="checkbox"/>
With metal trough	<input checked="" type="checkbox"/>
Mounting type	Profile rail
Impact-resistant	<input type="checkbox"/>
Clamping range D	8,00 - 12,00 mm
Surface addition	Untreated
Material addition	Rustproof steel