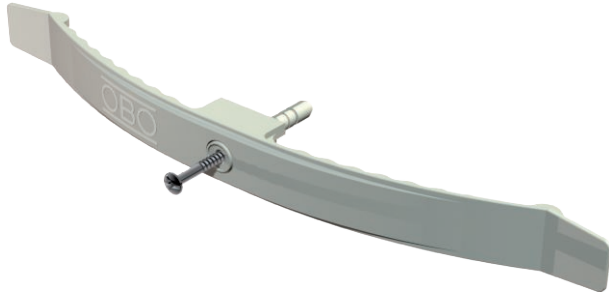


Technical data sheet

Pressure clip with knock-in anchor, for 16 cables

Item no. 2204819



With pre-mounted knock-in anchor, 6 mm Ø.
 Required drill hole depth 50 mm.
 Clamping height 9 mm - with spacer 13 mm.
 Fastening hole 6 mm Ø.



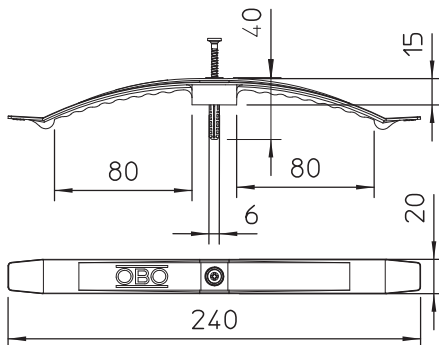
PA Polyamide

Additional product text 1 | 2033/SD for max. 16 cables NYM 3 x 1.5 mm²

Master data

Item no.	2204819
Type	2033 SD
Description 1	Pressure clip
Dimension	2x8 NYM3x1,5
Colour	Light grey
RAL number	7035
Material	Polyamide
Material symbol	PA
Smallest sales unit (VG)	25 Piece
Weight	2,52 kg/100 pc.

Technical data



No. of conductors NYM 3 x 1.5	16
Flame-resistant version	<input type="checkbox"/>
Suitable for maintaining electrical function	<input type="checkbox"/>
Halogen-free	<input checked="" type="checkbox"/>
With anchor	<input checked="" type="checkbox"/>