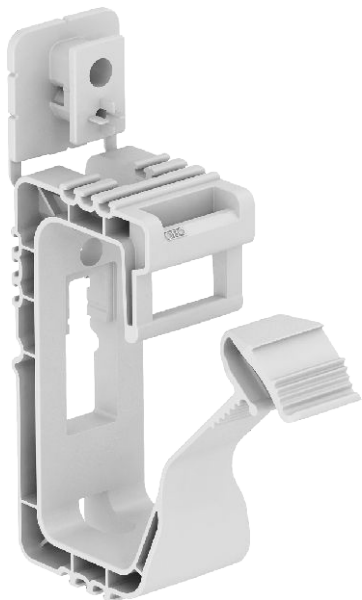


# Technical data sheet

## Grip 20

Item no. 2205408



Cable tidy for general use with fastening holes of  $\varnothing 6$  mm, suitable for wall and ceiling mounting. The moulded fastening element can be fastened using knock-in anchors or a gas pressure nail gun. The recommended fastening spacing when assigned fully is 50 to 60 cm.



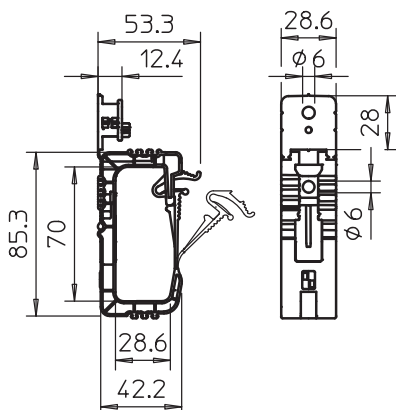
PP Polypropylene

|                           |  |
|---------------------------|--|
| Additional product text 1 | With multifunctional fastening element.<br>Capacity: 2031/ 20 max. 20 cables NYM 3 x 1.5 mm <sup>2</sup> |
|---------------------------|--|

### Master data

|                          |                       |
|--------------------------|-----------------------|
| Item no.                 | 2205408               |
| Type                     | 2031 20 SP            |
| Description 1            | Grip collecting clamp |
| Dimension                | 20x NYM3x1,5          |
| Colour                   | Light grey            |
| RAL number               | 7035                  |
| Material                 | Polypropylene         |
| Material symbol          | PP                    |
| Smallest sales unit (VG) | 100 Piece             |
| Weight                   | 1,92 kg/100 pc.       |

### Technical data



|  |                                     |
|--|-------------------------------------|
| No. of conductors NYM 3 x 1.5                | 20                                  |
| Flame-resistant version                      | <input type="checkbox"/>            |
| Breaking load                                | 0,32 kN                             |
| Suitable for maintaining electrical function | <input type="checkbox"/>            |
| Halogen-free                                 | <input checked="" type="checkbox"/> |
| With anchor                                  | <input type="checkbox"/>            |