

Technical data sheet

ISO nail clip 2011

Item no. 2225905



ISO nail clip, short design

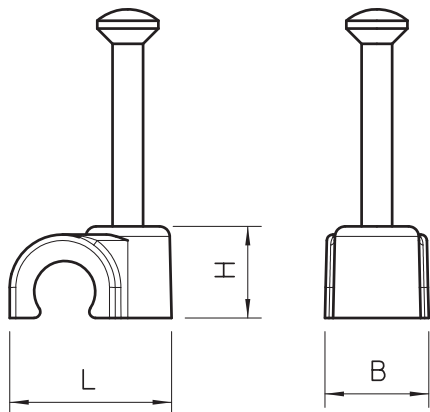


PP Polypropylene

Master data

Item no.	2225905
Type	2011 25 RW
Description 1	ISO nail clip
Dimension	11 mm, L25
Colour	Pure white
RAL number	9010
Material	Polypropylene
Material symbol	PP
Smallest sales unit (VG)	100 Piece
Weight	0,14 kg/100 pc.

Technical data



Dimension B	9,00 mm
Dimension H	14,00 mm
Dimension L	19,00 mm
For cable diameter	11,00 mm
For nail diameter	2,0x25 mm
Double clip	<input type="checkbox"/>
Hardened	<input checked="" type="checkbox"/>
Halogen-free	<input checked="" type="checkbox"/>
With nail	<input checked="" type="checkbox"/>
Nail length	25,00 mm
Impact-resistant	<input type="checkbox"/>