

# Technical data sheet

## ISO nail clip 2010

Item no. 2225808



ISO nail clip, short design

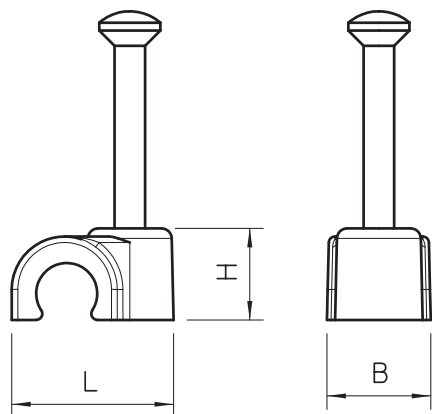


PP Polypropylene

### Master data

Item no.	2225808
Type	2010 25 RW
Description 1	ISO nail clip
Dimension	10mm, L25
Colour	Pure white
RAL number	9010
Material	Polypropylene
Material symbol	PP
Smallest sales unit (VG)	100 Piece
Weight	0,12 kg/100 pc.

### Technical data



Dimension B	8,00 mm
Dimension H	12,70 mm
Dimension L	17,70 mm
For cable diameter	10,00 mm
For nail diameter	2,0x25 mm
Double clip	<input type="checkbox"/>
Hardened	<input checked="" type="checkbox"/>
Halogen-free	<input checked="" type="checkbox"/>
With nail	<input checked="" type="checkbox"/>
Nail length	25,00 mm
Impact-resistant	<input type="checkbox"/>