

Technical data sheet

Snap clip

Item no. 2148021



With moulded-on push-fit plug for rapid mounting in concrete walls and masonry.
Push plug into hole until the clip makes contact with the surface. When the pipe is pressed into the clip, the arms of the clip grip it.

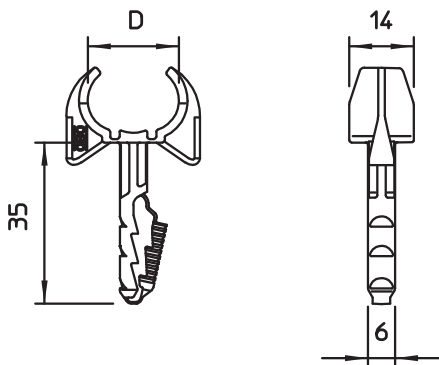


PA Polyamide

Master data

Item no.	2148021
Type	1975 12-15
Description 1	Snap clip
Dimension	12-15mm
Colour	Light grey
RAL number	7035
Material	Polyamide
Material symbol	PA
Smallest sales unit (VG)	100 Piece
Weight	0,25 kg/100 pc.

Technical data



Version	Closed
Version	Closed
Number of cables/pipes	1
Fastening type	Plug fastening
Fastening type	Plug fastening
Drill hole depth	40,00 mm
Drill hole diameter	6,00 mm
Breaking load for concrete B25	90 N N
Halogen-free	<input checked="" type="checkbox"/>
Clamping range D	12,00 - 15,00 mm