

# Technical data sheet

## Pipe end cap, splittable, metric, light grey

Item no. 2047863



Separable pipe end cap to slot onto metric electrical installation pipes. The separable pipe end cap can be used for repairs on existing installations according to regulations. It is not necessary to disconnect the cables, allowing quick mounting.

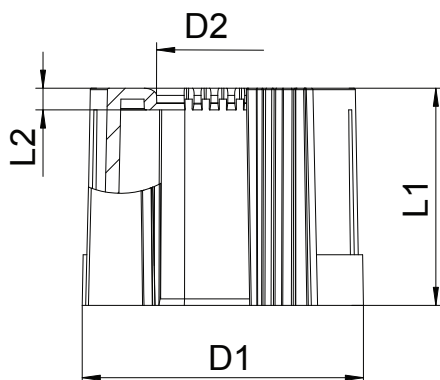


PE Polyethylene

### Master data

Item no.	2047863
Type	129 TB M40
Description 1	Pipe end sleeve, separable
Description 2	metric
Dimension	M40
Colour	Light grey
RAL number	7035
Material	Polyethylene
Material symbol	PE
Smallest sales unit (VG)	30 Piece
Weight	0,79 kg/100 pc.

### Technical data



Dimension D1	44,00 mm
Dimension D2	33,40 mm
Dimension L1	30,00 mm
Dimension L2	3,00 mm
Version	Connector
For pipe diameter	40,00 mm
Size	M40
Halogen-free	<input checked="" type="checkbox"/>
Brushed surface	<input type="checkbox"/>
Polished surface	<input type="checkbox"/>