

# Technical data sheet

## Pipe end cap, splittable, metric, black

Item no. 2047936



Separable pipe end cap to slot onto metric electrical installation pipes. The separable pipe end cap can be used for repairs on existing installations according to regulations. It is not necessary to disconnect the cables, allowing quick mounting.

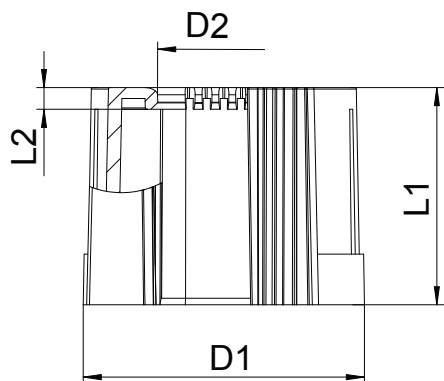


PE Polyethylene

### Master data

Item no.	2047936
Type	129 TB M16 SW
Description 1	Pipe end sleeve, separable
Description 2	metric
Dimension	M16
Colour	Black
Material	Polyethylene
Material symbol	PE
Smallest sales unit (VG)	50 Piece
Weight	0,40 kg/100 pc.

### Technical data



Dimension D1	20,00 mm
Dimension D2	10,00 mm
Dimension L1	30,00 mm
Dimension L2	3,00 mm
Version	Connector
For pipe diameter	16,00 mm
Size	M16
Halogen-free	<input checked="" type="checkbox"/>
Brushed surface	<input type="checkbox"/>
Polished surface	<input type="checkbox"/>