

Technical data sheet

Underfloor box UDS6 for PVC duct

Item no. 7400350



Underfloor outlet box with fixed, unchangeable 202 x 254 mm installation opening for an installation unit of nominal size 6. The mounting opening is created using the screed protection cover contained in the scope of supply. The underfloor box possesses installation openings for three single-compartment PVC ducts of nominal size 60 x 25 and 90 x 35 on all four sides. The box is principally suited for use in floor structures in cement screed with a structure height of up to 90 mm.

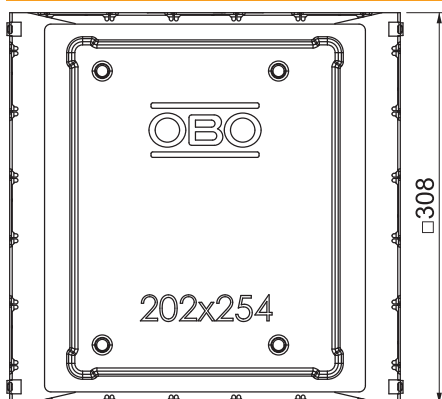


St	Steel
FS	Strip galvanised

Master data

Item no.	7400350
Type	UDSPD 9035 6
Description 1	Underfloor box
Description 2	for GES6
Dimension	308x308x92
Material	Steel
Material symbol	St
Surface	Strip galvanised
Surface to DIN	DIN EN 10346
Surface symbol	FS
Smallest sales unit (VG)	1 Piece
Weight	231,00 kg/100 pc.

Technical data



Floor plate	<input checked="" type="checkbox"/>
Seal installation option	<input type="checkbox"/>
Installation opening for on-floor tank	<input type="checkbox"/>
Screed height	65-90 mm
Suitable for screed-covered underfloor ducts	<input checked="" type="checkbox"/>
Duct width	60,00 - 90,00 mm
Trunking height	25,00 - 35,00 mm
Nominal size for device installation units	6