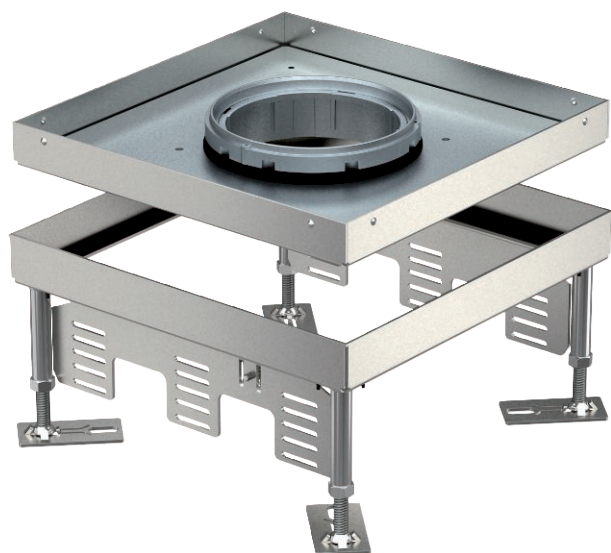


# Technical data sheet

Height-adjustable cassette for tube body, RKFN,  
stainless steel  
Item no. 7409368



Height-adjustable cassette of nominal size 9 for tube body for installation of accessories in dry or wet-cleaned floors for indoor use .

Height-adjustable cassette for tube body, 3-compartment. 3 APMT5 cover plates can be installed. For the installation of 3 UT4 universal supports for 6 individual installation devices with support ring/support clamp of 6 Modul 45 devices.



VA Stainless steel, rustproof 1.4301

## Master data

|                          |                                      |
|--------------------------|--------------------------------------|
| Item no.                 | 7409368                              |
| Type                     | RKFN2 9 VS 20                        |
| Description 1            | Square cassette                      |
| Description 2            | for tube                             |
| Dimension                | 243x243mm                            |
| Material                 | Stainless steel, material no. 1.4301 |
| Material symbol          | A2                                   |
| Smallest sales unit (VG) | 1 Piece                              |
| Weight                   | 407,10 kg/100 pc.                    |

## Technical data

|  |                                     |
|--|-------------------------------------|
| Floor covering thickness                   | 20,00 mm                            |
| Floor height                               | 105-150 mm                          |
| Number of installable devices              | 12                                  |
| Number of mounting boxes                   | 3                                   |
| Number of cable outlets                    | 1                                   |
| Version for                                | Square                              |
| Cable outlet version                       | Lowerable tube body                 |
| Floor care                                 | Wet                                 |
| Installation depth                         | 105,00 mm                           |
| Decouplable                                | <input type="checkbox"/>            |
| Device support to accept mounting boxes    | <input checked="" type="checkbox"/> |
| Nominal size for device installation units | 9                                   |
| Suitable for raised floor installation     | <input checked="" type="checkbox"/> |
| Suitable for cavity floor installation     | <input checked="" type="checkbox"/> |
| Suitable for underfloor box                | 250/350                             |
| Height-adjustment range                    | 105,00 - 150,00 mm                  |
| Opening mechanism                          | Handle                              |
| Approvals                                  |                                     |
| Schwerlastausführung                       | <input type="checkbox"/>            |
| Typ des Einbausystems                      | UT4                                 |

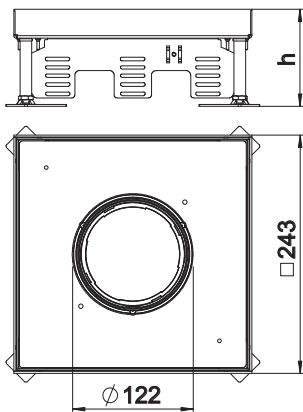
# Technical data sheet

Height-adjustable cassette for tube body, RKFN,  
stainless steel  
Item no. 7409368



## Technical data

### Dimensions



|                                   |           |
|-----------------------------------|-----------|
| Dimension h                       | 105,00 mm |
| Length of installation dimensions | 244,00 mm |
| Wide installation dimensions      | 244,00 mm |