

Technical data sheet

GESRA9/10 service outlet with handle clamp

Item no. 7405580



Service outlet with handle clamp for up to 12 individual Modul 45 devices in 3 UT4 universal supports, use in duct systems and system floors for indoor use.

Up to 9 installation devices with 50 mm central plate can be inserted.

Service outlet with handle clamp, 3-compartment, for the installation of MT9 mounting support. Three type APMT5 cover plates can be installed.

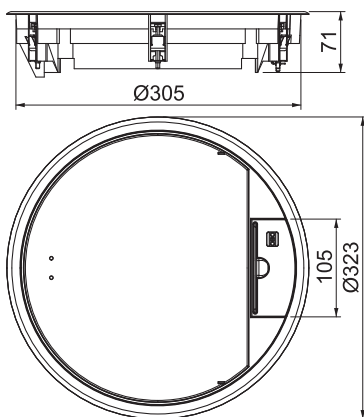


AIG Die-cast aluminium

Master data

Item no.	7405580
Type	GESRA9 10U
Description 1	Service outlet
Description 2	for universal mounting
Dimension	323x323x70
Material	Die-cast aluminium
Material symbol	AIG
Smallest sales unit (VG)	1 Piece
Weight	120,50 kg/100 pc.

Technical data



External diameter	323,00 mm
Installation diameter	305
Number of installable devices	12
Number of mounting boxes	3
Floor covering thickness	10,00 mm
Floor covering protection frame	<input checked="" type="checkbox"/>
Floor care	Dry
Version for	Round
Seal installation option	<input type="checkbox"/>
Installation depth	78,00 mm
Floor height	78 mm
Device support to accept mounting boxes	<input checked="" type="checkbox"/>
Suitable for wet care	<input type="checkbox"/>
Suitable for screed-covered underfloor ducts	<input checked="" type="checkbox"/>
Suitable for raised floor installation	<input checked="" type="checkbox"/>
Suitable for cavity floor installation	<input checked="" type="checkbox"/>
Suitable for underfloor ducts	<input checked="" type="checkbox"/>
With floor covering recess	<input checked="" type="checkbox"/>
Nominal size for device installation units	R9
Suitable for underfloor box	350
Opening mechanism	Handle
Schwerlastausführung	<input type="checkbox"/>
Typ des Einbausystems	UT4

Technical data sheet

GESRA9/10 service outlet with handle clamp

Item no. 7405580



Technical data

Approvals