

Technical data sheet

Surge protective device 230 V for through wiring

Item no. 5092460



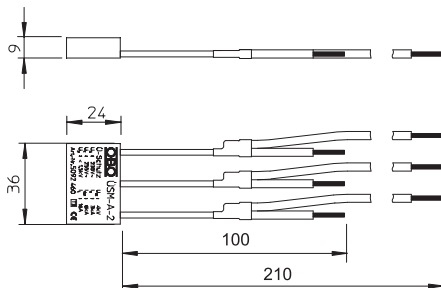
Surge protective device type 3 to DIN EN 61643-11 for 230 V networks.

- With acoustic defect signal
- With 2 strands for continuous wiring
- With low construction height
- Halogen-free plastic (UL 94 V-0)
- Y circuit

Application: Universally applicable for all installation systems.



Dimensions



Master data

Item no.	5092460
Type	ÜSM-A-2
Description 1	Surge protective Modul
Description 2	for all installation systems
Dimension	255V
Smallest sales unit (VG)	1 Piece
Weight	2,20 kg/100 pc.

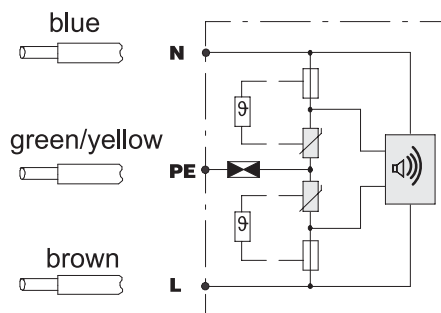
Technical data sheet

Surge protective device 230 V for through wiring

Item no. 5092460



Technical data



SPD to EN 61643-11	Type 3
SPD to IEC 61643-11	Class III
Nominal voltage	230,00 V
Maximum continuous voltage AC	255,00 V
Max. continuous operating voltage	255,00 V
Nominal discharge current (8/20)	3 kA
Rated current	16,00 A
Maximum discharge current (8/20 μ s)	6,00 kA
Protection level	< 1,3 kV
Protection level (L-N)	< 1,3 kV
Protection level (N-PE)	< 1,5 kV
Response time	< 25 ns
Maximum back-up fuse	16,00 A
Temperature range	-15-+60 °C
Pole version	1
Version	V connection
Version	1-pole
Mounting type	Wall socket
Installation type	Wall socket
Signalling on device	Acoustic