

Technical data sheet

MCR protection for 2-pin for power supply with leak current-free remote signalling, 230 V AC/DC

Art.-Nr. 5097939



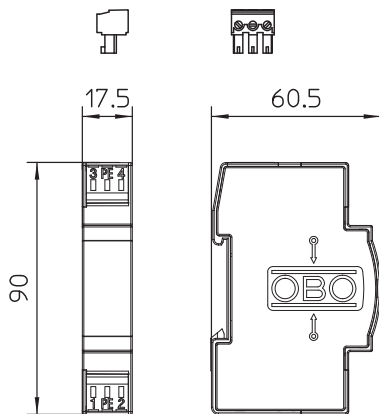
Type 3 surge protection/fine network protection to EN 61643-11 with leak current-free remote signalling

- With remote signalling; potential-free NC contact for function monitoring
- With installation-friendly, screwless connection terminals
- In space-saving 17.5 mm grid
- Y circuit

Application: Universal use on 35 mm DIN profile rails in any standard distributor housing.



Dimensions



Master data

Item no.	5097939
Type	VF2-230-AC/DC-FS
Description 1	Lightning barrier
Description 2	with remote signalling
Dimension	230V AC
Smallest sales unit	1,00 Piece
Weight	6,00 kg/100 pc.

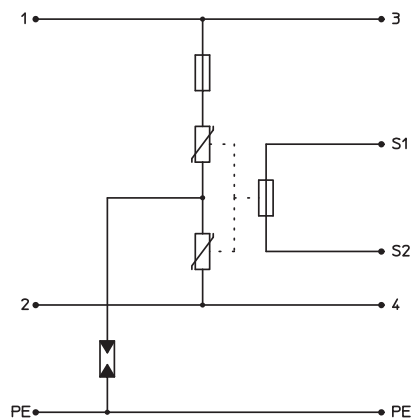
Technical data sheet

MCR protection for 2-pin for power supply with leak current-free remote signalling, 230 V AC/DC

Art.-Nr. 5097939



Technical data



SPD to EN 61643-11	Type 3
SPD to IEC 61643-11	Class III
Test class, type 3	<input checked="" type="checkbox"/>
Maximum continuous voltage AC	255,00 V
Max. continuous operating voltage	255,00 V
U max AC	255,00 V
Maximum continuous voltage DC	350,00 V
U max DC	350,00 V
Nominal discharge current (8/20)	2,5 kA
Rated current	20,00 A
Maximum discharge current (8/20 µs)	7,00 kA
Protection level [L-N]	1.000,00 kV
Response time	<25 ns
Temperature range	-40+80 °C
Pole number	3,00
Mounting type	Hat rail 35 mm
Installation type	DIN rail 35 mm
Protection rating	IP20
Protection rating	IP 20
Blow-out	<input type="checkbox"/>
Division unit TE (17.5 mm)	1
Remote signalling	<input checked="" type="checkbox"/>
Telecommunications contact	<input checked="" type="checkbox"/>
Connection cross-section, flexible	0,14 - 2,50 mm ²
Connection cross-section, rigid	0,14 - 2,50 mm ²
Connection cross-section, multi-wire	0,14 - 2,50 mm ²
Signalling on device	None