

# Technical data sheet

## Earthing clamp, type 942

Item no. 5038138



- For pipes 1/8–1 1/2" or Ø 8–49 mm
- Connection options: Cables up to 25 mm<sup>2</sup>
- With connection clip and cylinder bolt M6 x 16 made of brass, nickel-plated
- Clamp cover and base made of copper, nickel-plated

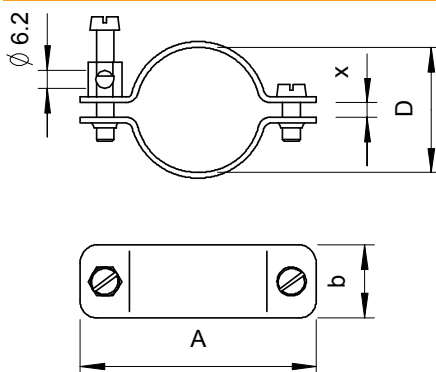


|    |               |
|----|---------------|
| Cu | Copper        |
| N  | Nickel-plated |

### Master data

|                          |                 |
|--------------------------|-----------------|
| Item no.                 | 5038138         |
| Type                     | 942 43          |
| Description 1            | Earthing clamp  |
| Dimension                | 39-43mm         |
| Material                 | Copper          |
| Material symbol          | Cu              |
| Surface                  | Nickel-plated   |
| Surface symbol           | N               |
| Smallest sales unit (VG) | 10 Piece        |
| Weight                   | 9,74 kg/100 pc. |

### Technical data



|  |                              |
|--|------------------------------|
| Dimension A                            | 81,00 mm                     |
| Dimension X                            | 5,00 mm                      |
| Dimension b                            | 25,00 mm                     |
| Connection option 1                    | Cables to 25 mm <sup>2</sup> |
| Number of conductors                   | 1                            |
| Cross-section of cable to be connected | 0,00 - 25,00 mm <sup>2</sup> |
| for pipe diameter                      | 1 1/4 inch                   |
| Clamping range D                       | 39,00 - 43,00 mm             |
| Clamping range D                       | 1 1/4 inch                   |