

# Technical data sheet

## Earthing clamp, type 942

Item no. 5038030



- For pipes 1/8-1 1/2" or Ø 8-49 mm
- Connection options: Cables up to 25 mm<sup>2</sup>
- With connection clip and cylinder bolt M6 x 16 made of brass, nickel-plated
- Clamp cover and base made of copper, nickel-plated

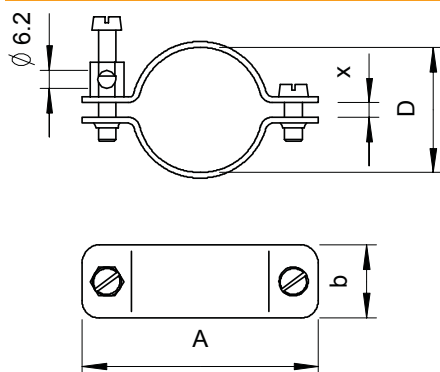


<b>Cu</b>	Copper
<b>N</b>	Nickel-plated

### Master data

Item no.	5038030
Type	942 15
Description 1	Earthing clamp
Dimension	13-15mm
Material	Copper
Material symbol	Cu
Surface	Nickel-plated
Surface symbol	N
Smallest sales unit (VG)	10 Piece
Weight	4,80 kg/100 pc.

### Technical data



Dimension A	50,00 mm
Dimension X	3,00 mm
Dimension b	20,00 mm
Connection option 1	Cables to 25 mm <sup>2</sup>
Number of conductors	1
Cross-section of cable to be connected	0,00 - 25,00 mm <sup>2</sup>
for pipe diameter	1/4 inch
Clamping range D	13,00 - 15,00 mm
Clamping range D	1/4 inch