

# Technical data sheet

Edge protection ring KSR 20030, for LKM cable trunking type 20030  
Item no. 6249844



Edge protection ring for the open ends of LKM cable trunking.

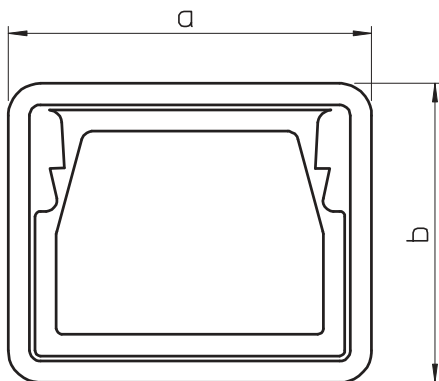


**PVC** Polyvinylchloride

## Master data

Item no.	6249844
Type	KSR20030
Description 1	Edge protection ring
Description 2	for LKM trunking
Dimension	20x30mm
Colour	Grey
Material	Polyvinylchloride
Material symbol	PVC
Smallest sales unit (VG)	5 Piece
Weight	1,10 kg/100 pc.

## Technical data



Length	23,00 mm
Width	34,00 mm
Height	28,00 mm
Side height	28,00 mm
Dimension a	34,00 mm
Dimension b	28,00 mm
Shape	Injection-moulded part
for duct dimension	20 x 30
Suitable for	Cable routing duct
Halogen-free	<input checked="" type="checkbox"/>