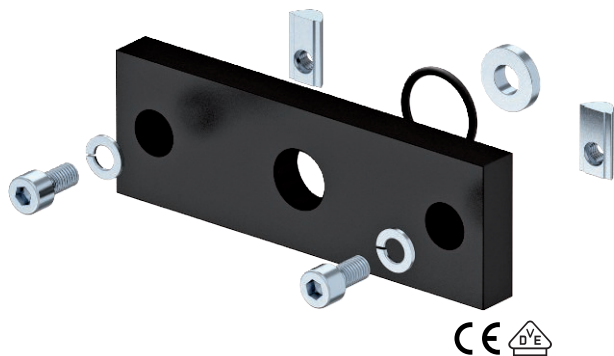


# Technical data sheet

## Compressed air tap for industrial pole



Item no. 6290495

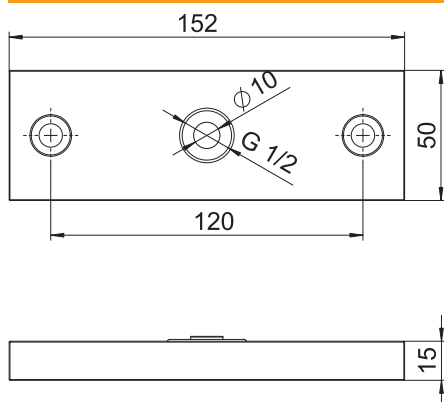


Tap to take off compressed air from the ISS industrial pole profile. The compressed air tap has a G 1/2 (ISO 228-1) threaded hole to accept a standard compressed air coupling. The unit can be mounted onto the pole profile using slot nuts and fastening screws. For the creation of an appropriate outlet for the compressed air a drilling template is supplied.

### Master data

Item no.	6290495
Type	ISS160160DLA
Description 1	Compressed air tap
Description 2	for ISS, industry
Dimension	152x50x15mm
Smallest sales unit (VG)	1 Piece
Weight	30,00 kg/100 pc.

### Technical data



Version for	Other
Halogen-free	<input type="checkbox"/>