

Technical data sheet

Floor plate for industrial pole

Item no. 6290416

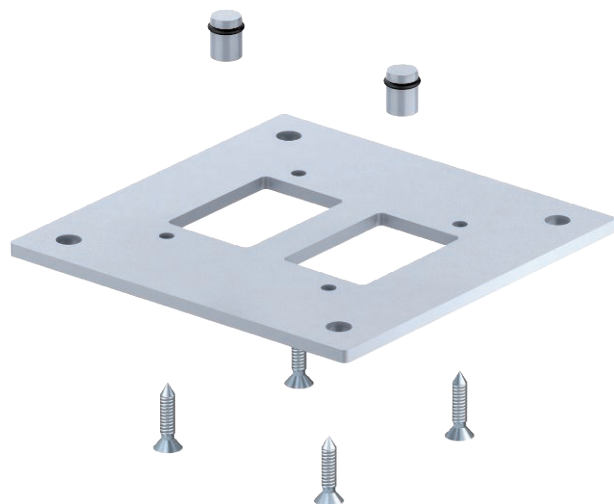


Plate to fasten the ISS industrial pole to the floor. The scope of delivery comprises of four fastening screws to mount the floor plate onto the pole profile and two sealing plugs to make the compressed air channels airtight.

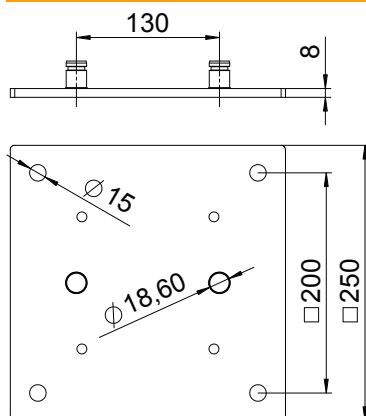


St Steel

Master data

Item no.	6290416
Type	ISS160160BP
Description 1	Floor plate
Description 2	for install. column, industry
Dimension	250x250x8mm
Colour	White aluminium
RAL number	9006
Material	Steel
Material symbol	St
Smallest sales unit (VG)	1 Piece
Weight	382,00 kg/100 pc.

Technical data



Length	250,00 mm
Width	250,00 mm
Height	8,00 mm
Adjustable	<input type="checkbox"/>
Halogen-free	<input checked="" type="checkbox"/>