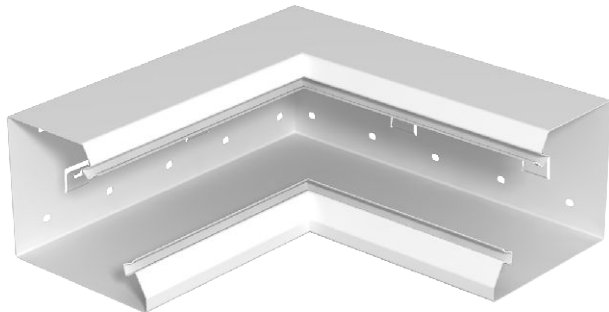


Technical data sheet

Internal corner, for device installation trunking Rapid
80 type GS-S133110
Item no. 6282740



Internal corner suitable for direct wall mounting.

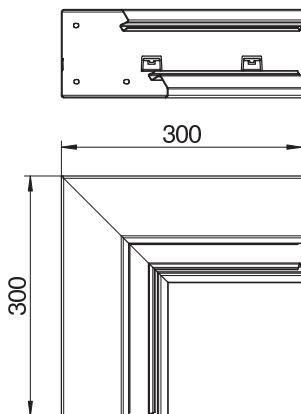


St Steel

Master data

Item no.	6282740
Type	GEK-SAIS133110RW
Description 1	Internal corner
Description 2	standard asymmetrical
Dimension	133x110mm
Colour	Pure white
RAL number	9010
Material	Steel
Material symbol	St
Smallest sales unit (VG)	1 Piece
Weight	188,30 kg/100 pc.

Technical data



Length	300,00 mm
Width	110,00 mm
Height	133,00 mm
Number of covers	1
Version for	Base
Shape	Asymmetrical
for duct dimension	110 x 133
Halogen-free	<input checked="" type="checkbox"/>
Cable retaining clip	<input type="checkbox"/>
Duct connector	<input type="checkbox"/>
Cover mounting type	Internal
Mounting perforation in base	<input checked="" type="checkbox"/>
Cover width	76,5 mm
Cover width 2	0,00 mm
Cover width 3	0,00 mm
Protective film	<input checked="" type="checkbox"/>
Angle range	90,00 - 90,00 °