

# Technical data sheet

## Sheet steel flat angle cover, rising

Art.-Nr. 6287060



Cover for closing flat angles.



St Steel

### Master data

Item no.	6287060
Type	F00P3SRW
Description 1	Cover
Description 2	for rising flat angle, desk
Dimension	80x300mm
Colour	Pure white
RAL number	9010
Material	Steel
Material symbol	St
Smallest sales unit	1,00 Piece
Weight	41,00 kg/100 pc.

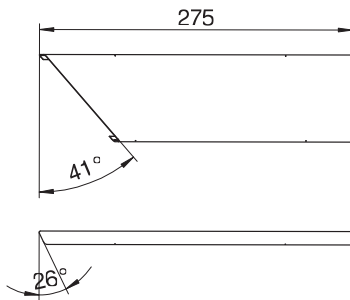
# Technical data sheet

## Sheet steel flat angle cover, rising

Art.-Nr. 6287060



### Technical data



Length	275,00 mm
Width	76,50 mm
Version for	Smooth
Halogen-free	<input checked="" type="checkbox"/>
Cover mounting type	Internal
Protective film	<input checked="" type="checkbox"/>