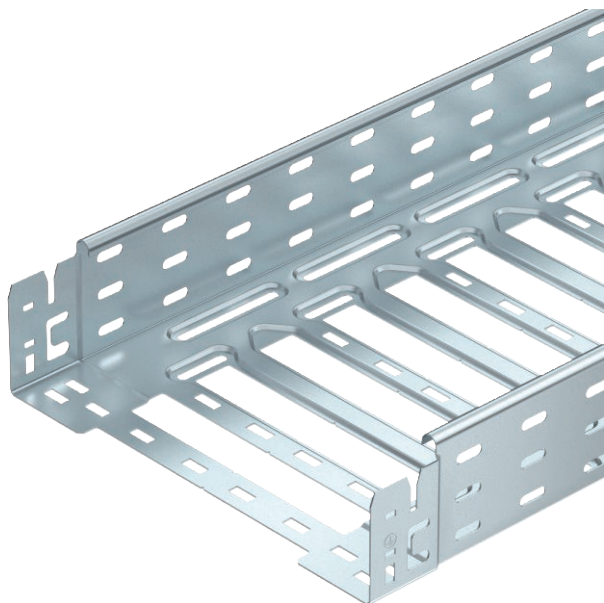


Technical data sheet

Cable tray SKS-Magic® 85

Item no. 6059557



Cable tray with integrated quick fastening system. The usable length of the cable tray is 3,000 mm.

The cable tray has continuous side perforations of 7 x 20 mm for the installation of additional connection and mounting components.

From a cable tray width of 200 mm with 30% hole surface, suitable for use under sprinkler systems according to VdS guideline 2092.

Continuous equipotential bonding is guaranteed without additional components.



- St** Steel
- FT** Hot-dip galvanised

Master data

| | |
|--------------------------|-----------------------------|
| Item no. | 6059557 |
| Type | SKSM 840 FT |
| Description 1 | Cable tray SKSM |
| Description 2 | perforated, quick connector |
| Manufacturer | OBO |
| Dimension | 85x400x3050 |
| Material | Steel |
| Material symbol | St |
| Surface | Hot-dip galvanised |
| Surface to DIN | DIN EN ISO 1461 |
| Surface symbol | FT |
| Smallest sales unit (VG) | 3 m |
| Weight | 523,93 kg/100 m |

Technical data

| | | |
|--|--|-------------------------------------|
| | Usable cross-section | 33.800,00 mm ² |
| | Usable cross-section | 338,00 cm ² |
| | Suitable for maintaining electrical function | <input type="checkbox"/> |
| | Connector version | Integrated connector |
| | With cover | <input type="checkbox"/> |
| | Mounting perforation in base | <input checked="" type="checkbox"/> |
| | NATO hole pattern | <input type="checkbox"/> |
| | Rustproof steel, pickled | <input type="checkbox"/> |
| | Side perforation | <input checked="" type="checkbox"/> |
| | Wide-span version | <input type="checkbox"/> |

Technical data sheet

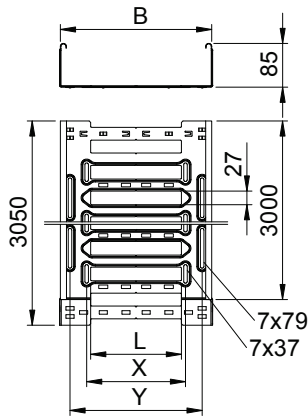
Cable tray SKS-Magic® 85

Item no. 6059557



Technical data

Dimensions

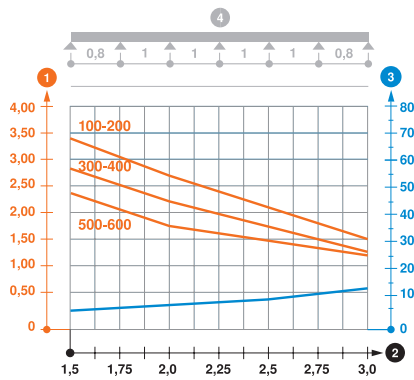


| | |
|-----------------|-------------|
| Length | 3.050,00 mm |
| Width | 400,00 mm |
| Height | 85,00 mm |
| Side height | 85,00 mm |
| Dimension B | 400,00 mm |
| Dimension L | 280,00 mm |
| Dimension x | 296,00 mm |
| Dimension y | 362,00 mm |
| Plate thickness | 1,50 mm |

Appr. load:

| | |
|-----------------------|-----------|
| Support spacing 1.5 m | 2,80 kN/m |
| Support spacing 2.0 m | 2,25 kN/m |
| Support spacing 2.5 m | 1,77 kN/m |
| Support spacing 3.0 m | 1,35 kN/m |

Load diagram, cable tray, type SKSM 85



1 Permitted cable tray/ladder load in kN/m without man load

2 Support width in m

3 Rail bend in mm at permitted kN/m

4 Load scheme during testing

— Load curve with cable tray/ladder width in mm

— Strut bend curve according to support width