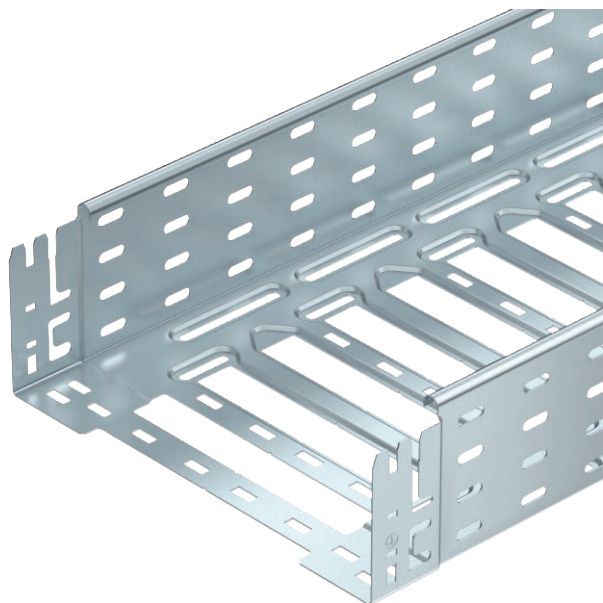


# Technical data sheet

## Cable tray SKS-Magic® 110

Item no. 6059614



Cable tray with integrated quick fastening system. The usable length of the cable tray is 3,000 mm.

The cable tray has continuous side perforations of 7 x 20 mm for the installation of additional connection and mounting components.

From a cable tray width of 200 mm with 30% hole surface, suitable for use under sprinkler systems according to VdS guideline 2092.

Continuous equipotential bonding is guaranteed without additional components.



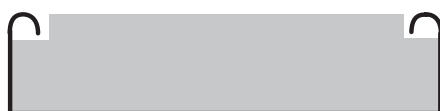
**St** Steel

**FS** Strip galvanised

### Master data

|                          |                             |
|--------------------------|-----------------------------|
| Item no.                 | 6059614                     |
| Type                     | SKSM 110 FS                 |
| Description 1            | Cable tray SKSM             |
| Description 2            | perforated, quick connector |
| Manufacturer             | OBO                         |
| Dimension                | 110x100x3050                |
| Material                 | Steel                       |
| Material symbol          | St                          |
| Surface                  | Strip galvanised            |
| Surface to DIN           | DIN EN 10346                |
| Surface symbol           | FS                          |
| Smallest sales unit (VG) | 3 m                         |
| Weight                   | 353,11 kg/100 m             |

### Technical data



|  |                                     |
|--|-------------------------------------|
| Usable cross-section                         | 10.800,00 mm <sup>2</sup>           |
| Usable cross-section                         | 108,00 cm <sup>2</sup>              |
| Suitable for maintaining electrical function | <input type="checkbox"/>            |
| Connector version                            | Integrated connector                |
| With cover                                   | <input type="checkbox"/>            |
| Mounting perforation in base                 | <input checked="" type="checkbox"/> |
| NATO hole pattern                            | <input type="checkbox"/>            |
| Rustproof steel, pickled                     | <input type="checkbox"/>            |
| Side perforation                             | <input checked="" type="checkbox"/> |
| Wide-span version                            | <input type="checkbox"/>            |

# Technical data sheet

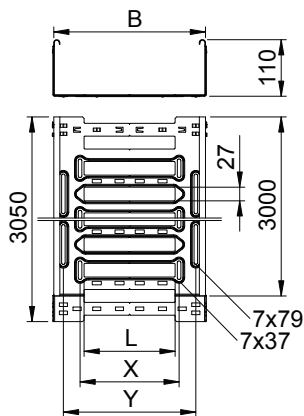
## Cable tray SKS-Magic® 110

Item no. 6059614



### Technical data

#### Dimensions

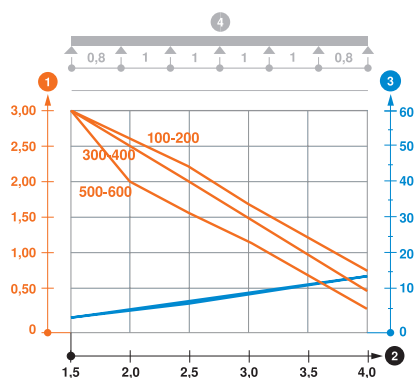


|                 |             |
|-----------------|-------------|
| Length          | 3.050,00 mm |
| Width           | 100,00 mm   |
| Height          | 110,00 mm   |
| Side height     | 110,00 mm   |
| Dimension B     | 100,00 mm   |
| Dimension L     | 30,00 mm    |
| Dimension y     | 62,00 mm    |
| Plate thickness | 1,50 mm     |

#### Appr. load:

|                       |           |
|-----------------------|-----------|
| Support spacing 1.5 m | 3,00 kN/m |
| Support spacing 2.0 m | 2,57 kN/m |
| Support spacing 2.5 m | 2,14 kN/m |
| Support spacing 3.0 m | 1,70 kN/m |
| Support spacing 3.5 m | 1,25 kN/m |
| Support spacing 4.0 m | 0,80 kN/m |

Load diagram, cable tray, type SKSM 110



- 1 Permitted cable tray/ladder load in kN/m without man load
- 2 Support width in m
- 3 Rail bend in mm at permitted kN/m
- 4 Load scheme during testing
- Load curve with cable tray/ladder width in mm
- Strut bend curve according to support width