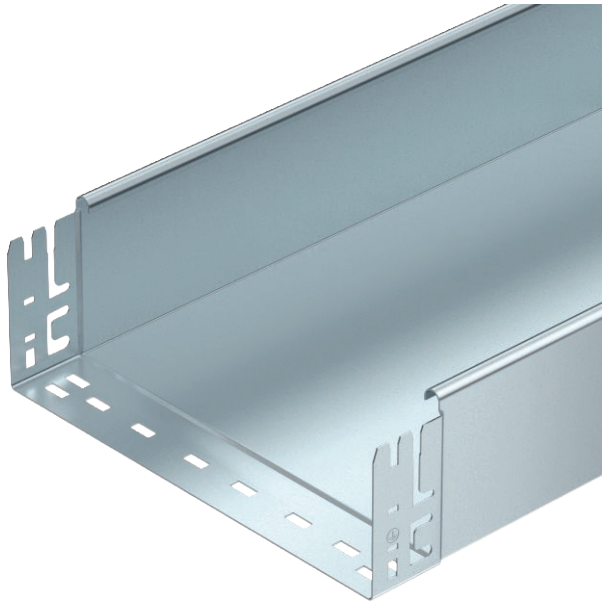


Technical data sheet

Cable tray SKS-Magic® 110, unperforated

Item no. 6059853



Unperforated cable tray with integrated quick fastening system. The usable length of the cable tray is 3,000 mm.

Continuous equipotential bonding is guaranteed without additional components.



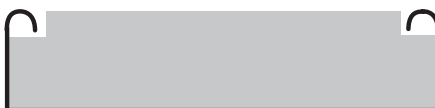
St Steel

FT Hot-dip galvanised

Master data

| | |
|--------------------------|-------------------------------|
| Item no. | 6059853 |
| Type | SKSMU 110 FT |
| Description 1 | Cable tray SKSMU |
| Description 2 | unperforated, quick connector |
| Manufacturer | OBO |
| Dimension | 110x100x3050 |
| Material | Steel |
| Material symbol | St |
| Surface | Hot-dip galvanised |
| Surface to DIN | DIN EN ISO 1461 |
| Surface symbol | FT |
| Smallest sales unit (VG) | 3 m |
| Weight | 431,05 kg/100 m |

Technical data



| | |
|--|---------------------------|
| Usable cross-section | 10.800,00 mm ² |
| Usable cross-section | 108,00 cm ² |
| Suitable for maintaining electrical function | <input type="checkbox"/> |
| Connector version | Integrated connector |
| With cover | <input type="checkbox"/> |
| Mounting perforation in base | <input type="checkbox"/> |
| NATO hole pattern | <input type="checkbox"/> |
| Rustproof steel, pickled | <input type="checkbox"/> |
| Side perforation | <input type="checkbox"/> |
| Wide-span version | <input type="checkbox"/> |

Technical data sheet

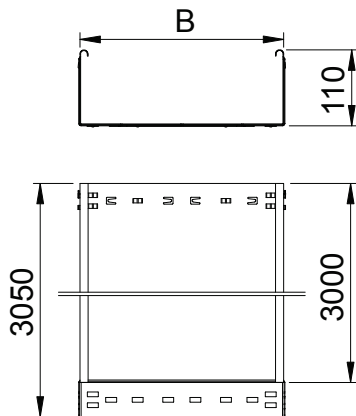
Cable tray SKS-Magic® 110, unperforated

Item no. 6059853



Technical data

Dimensions

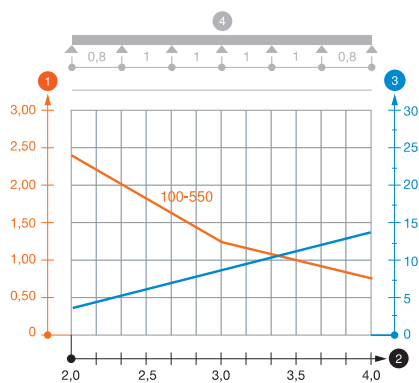


| | |
|-----------------|-------------|
| Length | 3.050,00 mm |
| Width | 100,00 mm |
| Height | 110,00 mm |
| Side height | 110,00 mm |
| Dimension B | 100,00 mm |
| Plate thickness | 1,50 mm |

Appr. load:

| | |
|-----------------------|-----------|
| Support spacing 1.5 m | 3,00 kN/m |
| Support spacing 2.0 m | 2,40 kN/m |
| Support spacing 2.5 m | 1,76 kN/m |
| Support spacing 3.0 m | 1,20 kN/m |
| Support spacing 3.5 m | 0,84 kN/m |
| Support spacing 4.0 m | 0,80 kN/m |

Load diagram, cable tray, type SKSMU 110



- 1 Permitted cable tray/ladder load in kN/m without man load
- 2 Support width in m
- 3 Rail bend in mm at permitted kN/m
- 4 Load scheme during testing
- Load curve with cable tray/ladder width in mm
- Strut bend curve according to support width