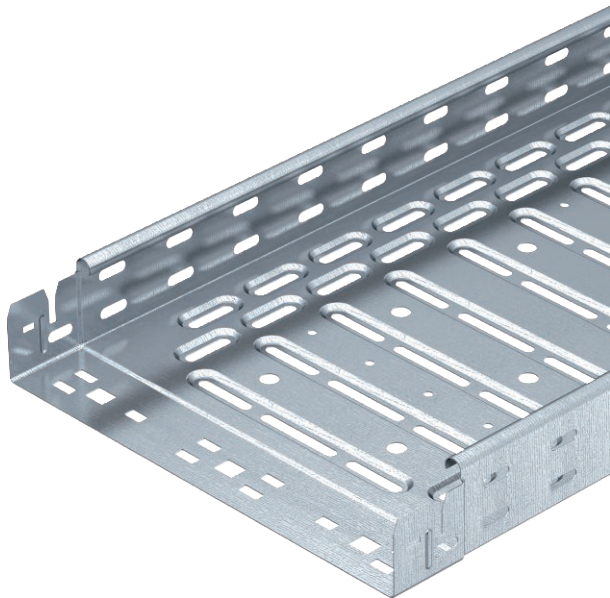


Technical data sheet

Cable tray RKS-Magic® 60

Item no. 6047631



Cable tray with integrated quick fastening system. The usable length of the cable tray is 3,000 mm.

The cable tray has continuous side perforations of 7 x 20 mm for the installation of additional connection and mounting components.

The perforation for direct threaded rod suspension has a diameter of 11 mm.

Continuous equipotential bonding is guaranteed without additional components.

Magnetic shield insulation without cover 20 dB, with cover 50 dB.



St	Steel
FT	Hot-dip galvanised

Product text, standards

The cable tray is tested for the maintenance of electrical function, tested according to DIN 4102 Part 12 and for mounting above suspended fire protection ceilings (each for tray widths 100 - 400 mm).

The mounting version and parameters correspond to the valid certificates. You can find additional information in our fire protection systems catalogue.

Master data

Item no.	6047631
Type	RKSM 615 FT
Description 1	Cable tray RKSM
Description 2	Magic, quick connector
Manufacturer	OBO
Dimension	60x150x3050
Material	Steel
Material symbol	St
Surface	Hot-dip galvanised
Surface to DIN	DIN EN ISO 1461
Surface symbol	FT
Smallest sales unit (VG)	3 m
Weight	236,98 kg/100 m

Technical data sheet

Cable tray RKS-Magic® 60

Item no. 6047631

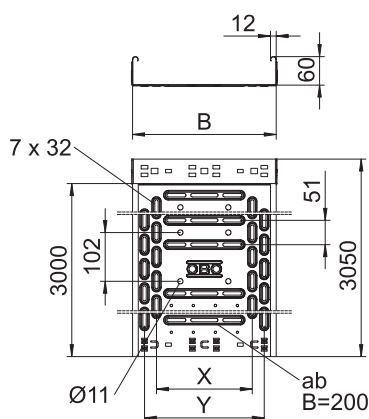


Technical data



Usable cross-section	8.800,00 mm ²
Usable cross-section	88,00 cm ²
Suitable for maintaining electrical function	<input checked="" type="checkbox"/>
Connector version	Integrated connector
Base perforation	1,3
With cover	<input type="checkbox"/>
Mounting perforation in base	<input checked="" type="checkbox"/>
NATO hole pattern	<input type="checkbox"/>
Rustproof steel, pickled	<input type="checkbox"/>
Side perforation	<input checked="" type="checkbox"/>
Wide-span version	<input type="checkbox"/>

Dimensions

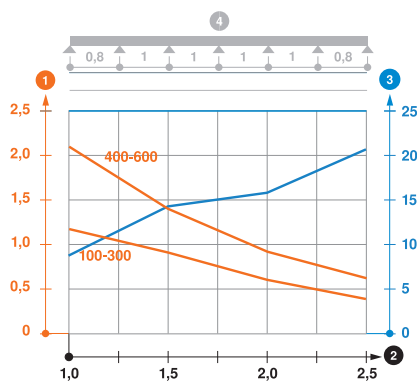


Length	3.050,00 mm
Width	150,00 mm
Height	60,00 mm
Side height	60,00 mm
Dimension B	150,00 mm
Dimension x	50,00 mm
Dimension y	100,00 mm
Plate thickness	1,00 mm

Appr. load:

NEMA load class	8AA
Support spacing 1.0 m	1,20 kN/m
Support spacing 1.5 m	0,90 kN/m
Support spacing 2.0 m	0,60 kN/m
Support spacing 2.5 m	0,40 kN/m

Load diagram, cable tray, type RKSM 60



- 1 Permitted cable tray/ladder load in kN/m without man load
- 2 Support width in m
- 3 Rail bend in mm at permitted kN/m
- 4 Load scheme during testing
- Load curve with cable tray/ladder width in mm
- Strut bend curve according to support width