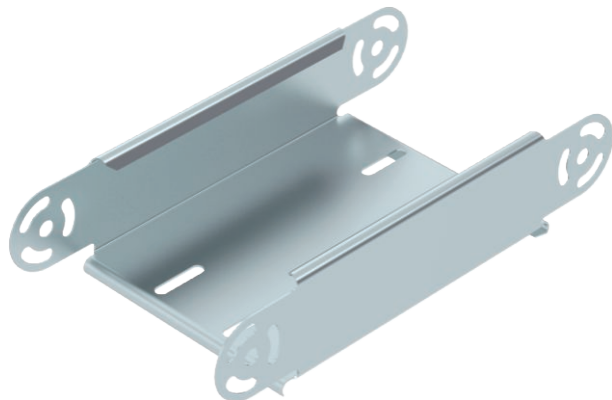


# Technical data sheet

## Adjustable bend element, vertical 60

Item no. 7005334



Adjustable vertical bend element, for all cable tray types with a side height of 60 mm.

RGV 60 adjustable connectors should be ordered separately and in the appropriate quantity.

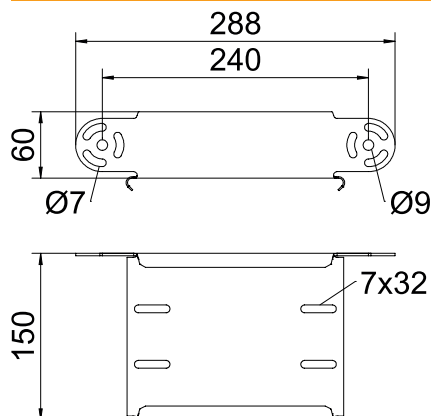


<b>St</b>	Steel
<b>FS</b>	Strip galvanised

### Master data

Item no.	7005334
Type	RGBEV 615 FS
Description 1	Adjustable bend element
Description 2	vertical
Dimension	60x150
Material	Steel
Material symbol	St
Surface	Strip galvanised
Surface to DIN	DIN EN 10346
Surface symbol	FS
Smallest sales unit (VG)	1 Piece
Weight	63,70 kg/100 pc.

### Technical data



Width	150,00 mm
Side height	60,00 mm
Dimension B	150,00 mm
Connector version	Without connectors
Shape	Articulated bend element
Plate thickness	1,00 mm
Dimension	288 x 150 x 60 mm
Suitable for maintaining electrical function	<input type="checkbox"/>
Mounting perforation in base	<input type="checkbox"/>
NATO hole pattern	<input type="checkbox"/>
Change of direction	Vertical, rising/falling
Rustproof steel, pickled	<input type="checkbox"/>
Side perforation	<input type="checkbox"/>
Wide-span version	<input type="checkbox"/>