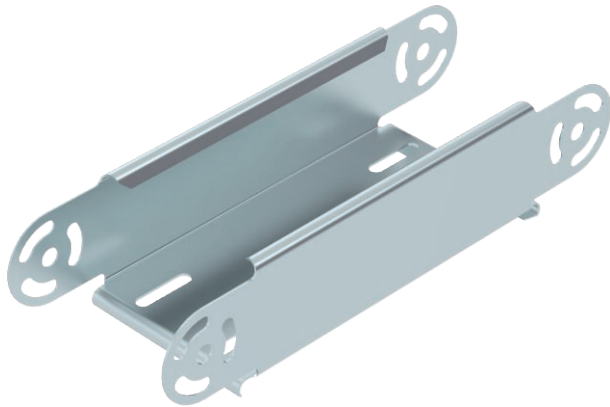


# Technical data sheet

## Adjustable bend element, vertical 60

Item no. 7005326



Adjustable vertical bend element, for all cable tray types with a side height of 60 mm.

RGV 60 adjustable connectors should be ordered separately and in the appropriate quantity.



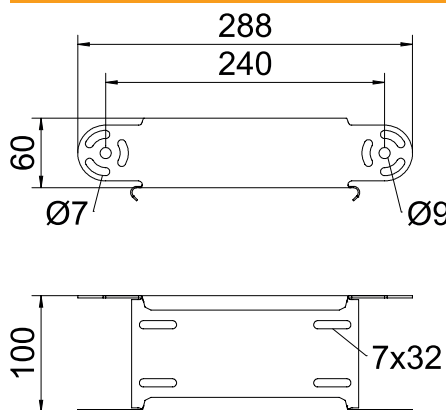
**St** Steel

**FS** Strip galvanised

### Master data

Item no.	7005326
Type	RGBEV 610 FS
Description 1	Adjustable bend element
Description 2	vertical
Dimension	60x100
Material	Steel
Material symbol	St
Surface	Strip galvanised
Surface to DIN	DIN EN 10346
Surface symbol	FS
Smallest sales unit (VG)	1 Piece
Weight	48,10 kg/100 pc.

### Technical data



Width	100,00 mm
Side height	60,00 mm
Dimension B	100,00 mm
Connector version	Without connectors
Shape	Articulated bend element
Plate thickness	1,00 mm
Dimension	288 x 100 x 60 mm
Suitable for maintaining electrical function	<input type="checkbox"/>
Mounting perforation in base	<input type="checkbox"/>
NATO hole pattern	<input type="checkbox"/>
Change of direction	Vertical, rising/falling
Rustproof steel, pickled	<input type="checkbox"/>
Side perforation	<input type="checkbox"/>
Wide-span version	<input type="checkbox"/>