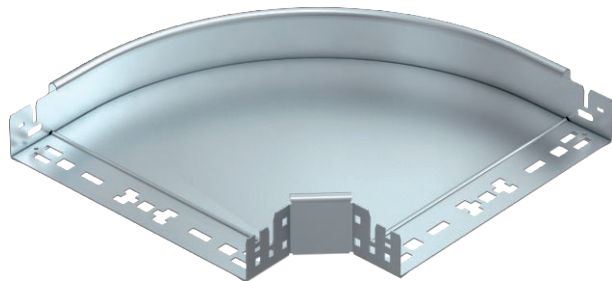


Technical data sheet

90° Magic bend 60

Item no. 6041136



90° bend with quick connector system. For all cable tray types of 60 mm side height.

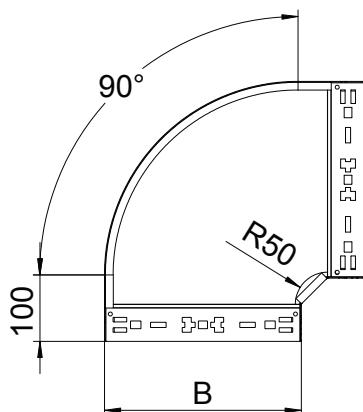
CE

St	Steel
FS	Strip galvanised

Master data

Item no.	6041136
Type	RBM 90 630 FS
Description 1	90° bend
Description 2	with quick connector
Dimension	60x300
Material	Steel
Material symbol	St
Surface	Strip galvanised
Surface to DIN	DIN EN 10346
Surface symbol	FS
Smallest sales unit (VG)	1 Piece
Weight	192,20 kg/100 pc.

Technical data



Width	300,00 mm
Side height	60,00 mm
Dimension B	300,00 mm
Bend (angle)	90°
Connector version	Integrated connector
Plate thickness	1,25 mm
Dimension	60x300 mm
Suitable for maintaining electrical function	<input type="checkbox"/>
Mounting perforation in base	<input type="checkbox"/>
NATO hole pattern	<input type="checkbox"/>
Change of direction	Horizontal
Rustproof steel, pickled	<input type="checkbox"/>
Side perforation	<input type="checkbox"/>
Wide-span version	<input type="checkbox"/>