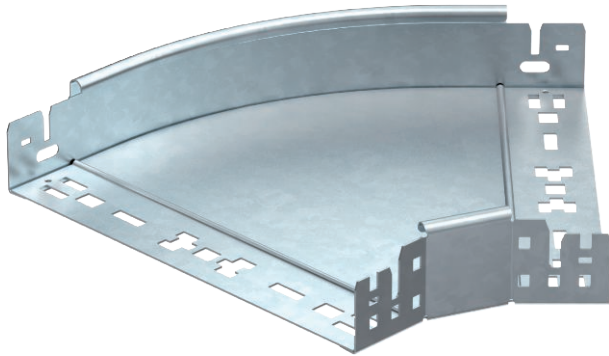


Technical data sheet

45° Magic bend 60

Item no. 6041066



45° bend with quick connector system. For all cable tray types of 60 mm side height.

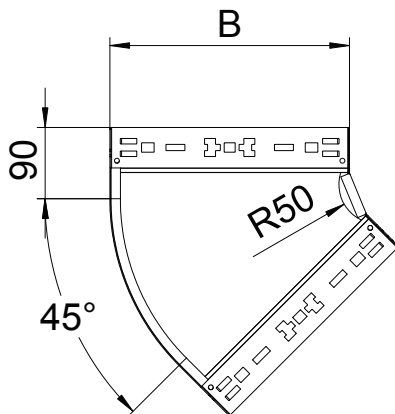


St	Steel
FT	Hot-dip galvanised

Master data

Item no.	6041066
Type	RBM 45 630 FT
Description 1	45° bend
Description 2	with quick connector
Dimension	60x300
Material	Steel
Material symbol	St
Surface	Hot-dip galvanised
Surface to DIN	DIN EN ISO 1461
Surface symbol	FT
Smallest sales unit (VG)	1 Piece
Weight	137,80 kg/100 pc.

Technical data



Width	300,00 mm
Side height	60,00 mm
Dimension B	300,00 mm
Bend (angle)	45°
Connector version	Integrated connector
Plate thickness	1,25 mm
Dimension	60x300 mm
Suitable for maintaining electrical function	<input type="checkbox"/>
Mounting perforation in base	<input type="checkbox"/>
NATO hole pattern	<input type="checkbox"/>
Change of direction	Horizontal
Rustproof steel, pickled	<input type="checkbox"/>
Side perforation	<input type="checkbox"/>
Wide-span version	<input type="checkbox"/>