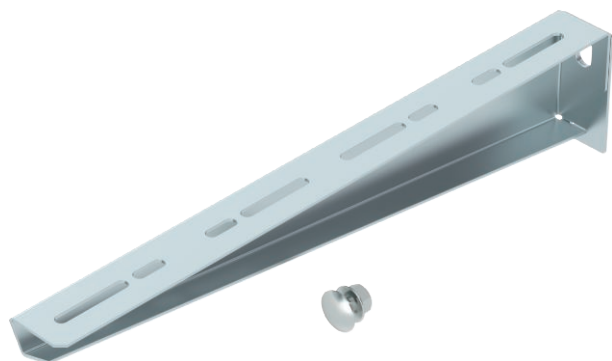


Technical data sheet

Wall and support bracket MWA 12

Item no. 6424759



Light-duty wall and support bracket.

Including truss-head bolt M10 x 25 for fastening to U supports.



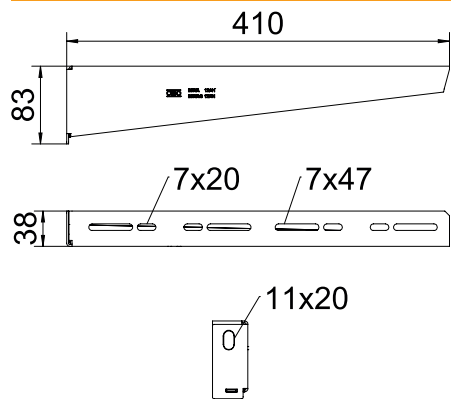
St	Steel
FS	Strip galvanised

Product text, scope of delivery	Including truss-head screw M10 x 25 for fastening to U supports.
---------------------------------	--

Master data

Item no.	6424759
Type	MWA 12 41S FS
Description 1	Wall and support bracket
Description 2	with fastening bolt M10x25
Dimension	B410mm
Material	Steel
Material symbol	St
Surface	Strip galvanised
Surface to DIN	DIN EN 10346
Surface symbol	FS
Smallest sales unit (VG)	1 Piece
Weight	68,00 kg/100 pc.

Technical data



Length	38,00 mm
Width	410,00 mm
Side height	83,00 mm
Dimension A	38,00 mm
Dimension B	410,00 mm
Dimension H	83,00 mm
Dimension L	410,00 mm
Hole diameter	11,00 mm
Dimension value	410 x 83
Version	Wall and support brackets
Version	Wall and support bracket
F in kN	1,20 kN
Suitable for maintaining electrical function	<input checked="" type="checkbox"/>
Rustproof steel, pickled	<input type="checkbox"/>
Angle range	90,00 - 90,00 °

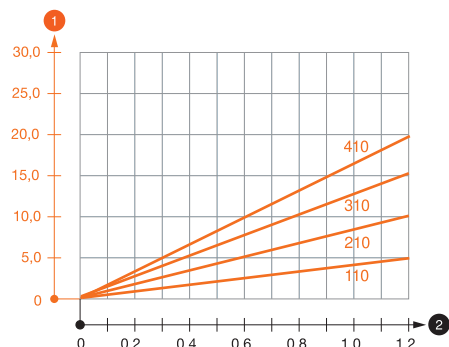
Technical data sheet

Wall and support bracket MWA 12

Item no. 6424759



Load charts



Load diagram, bracket, type MWA 12

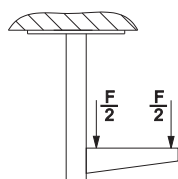
- ① Bending of the bracket tip at permitted bracket load
- ② Permitted bracket load in kN without man load
- Load curve with bracket lengths in mm

Characteristic anchor load values for wall and support bracket MWA 12

Wall fastening		Max. load [kN]			
		Bracket width [mm]			
Anchor type		110%	210	310	410
	BZ-U 8-10-21/75	1,20	0,95	0,70	0,65
	BZ-U 10-10-30/90	1,20	1,20	1,20	1,20

Max. total load F = cable weight + cable tray + bracket. The load capacity values increase considerably when used in uncracked concrete. The values given are based on concrete of strength class C20/25. Observe the installation conditions of the DIBt approval (anchors).

Load values for MWA 12 on suspended support



Load values for MWA 12 on suspended support

Characteristic anchor load values for wall and support bracket MWA 12

T1	Wall fastening				
T2		Max. load [kN]			
T3		Bracket width [mm]			
T4	Anchor type	110%	210	310	410
	BZ-U 8-10-21/75	1,2	0,95	0,7	0,65
	BZ-U 10-10-30/90	1,2	1,2	1,2	1,2