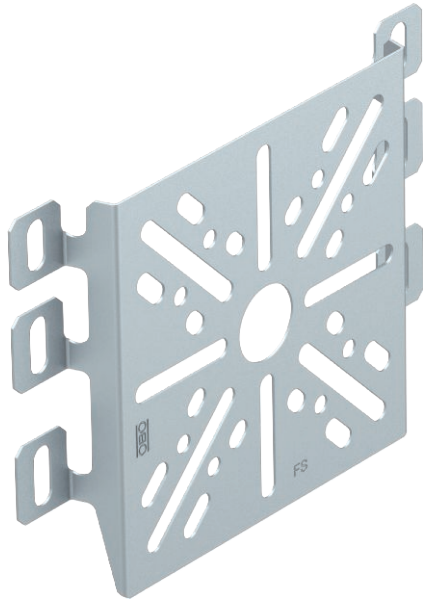


Technical data sheet

Mounting plate

Item no. 7084773



Mounting plate, for fastening on the side rail of cable support systems.
Please order the truss-head bolt, type FRSB 6 x 12, separately.

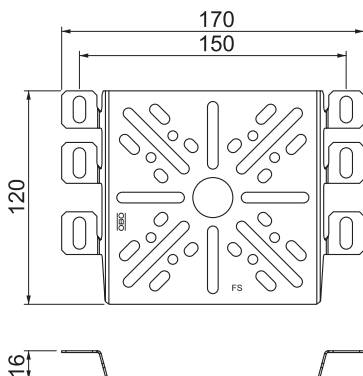


- St** Steel
- FS** Strip galvanised

Master data

Item no.	7084773
Type	MP UNI FS
Description 1	Mounting plate
Description 2	universal
Dimension	170x120
Material	Steel
Material symbol	St
Surface	Strip galvanised
Surface to DIN	DIN EN 10346
Surface symbol	FS
Smallest sales unit (VG)	1 Piece
Weight	13,30 kg/100 pc.

Technical data



Width	170,00 mm
Height	120,00 mm
Side height	35,00 mm
Version	horizontal
Fastening type	Screw fastening
Plate thickness	1,00 mm
Rustproof steel, pickled	<input type="checkbox"/>