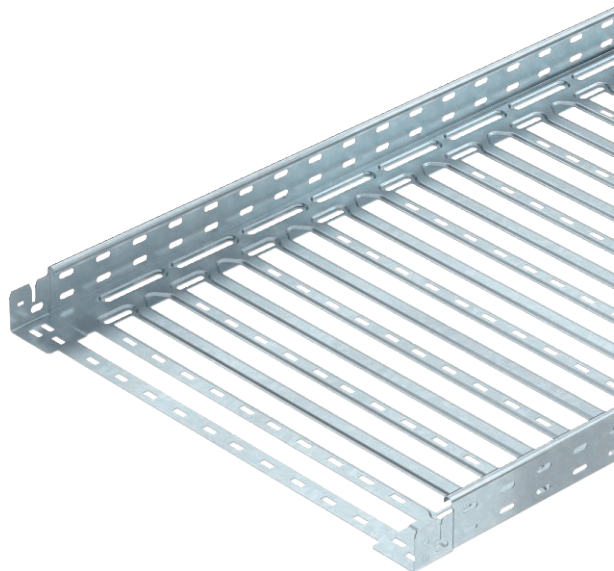


Technical data sheet

Cable tray MKS-Magic® 60

Item no. 6059032



Cable tray with integrated quick fastening system. The usable length of the cable tray is 3,000 mm.

The cable tray has continuous side perforations of 7 x 20 mm for the installation of additional connection and mounting components.

From a cable tray width of 200 mm with 30% hole surface, suitable for use under sprinkler systems according to VdS guideline 2092.

Continuous equipotential bonding is guaranteed without additional components.

Magnetic shield insulation without cover 20 dB, with cover 50 dB.



| | |
|-----------|--------------------|
| St | Steel |
| FT | Hot-dip galvanised |

Product text, standards

The cable tray is tested for the mounting above suspended fire protection ceilings (tray widths 100–400 mm).
The mounting version and the mounting parameters correspond to the valid certificates.
You can find additional information in our fire protection systems catalogue.

Master data

| | |
|--------------------------|-----------------------------|
| Item no. | 6059032 |
| Type | MKSM 660 FT |
| Description 1 | Cable tray MKSM |
| Description 2 | perforated, quick connector |
| Manufacturer | OBO |
| Dimension | 60x600x3050 |
| Material | Steel |
| Material symbol | St |
| Surface | Hot-dip galvanised |
| Surface to DIN | DIN EN ISO 1461 |
| Surface symbol | FT |
| Smallest sales unit (VG) | 3 m |
| Weight | 402,30 kg/100 m |

Technical data sheet

Cable tray MKS-Magic® 60

Item no. 6059032

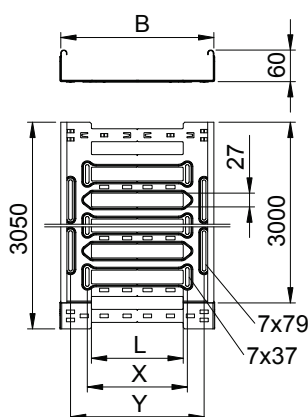


Technical data



| | |
|--|-------------------------------------|
| Usable cross-section | 35.800,00 mm ² |
| Usable cross-section | 358,00 cm ² |
| Suitable for maintaining electrical function | <input type="checkbox"/> |
| Connector version | Integrated connector |
| With cover | <input type="checkbox"/> |
| Mounting perforation in base | <input checked="" type="checkbox"/> |
| NATO hole pattern | <input type="checkbox"/> |
| Rustproof steel, pickled | <input type="checkbox"/> |
| Side perforation | <input checked="" type="checkbox"/> |
| Wide-span version | <input type="checkbox"/> |

Dimensions

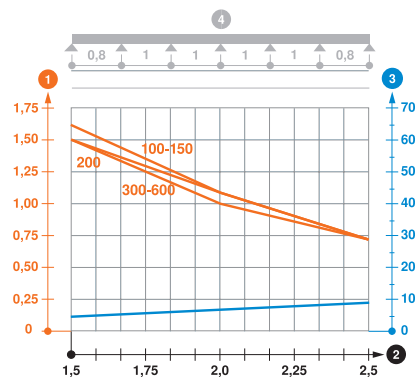


| | |
|-----------------|-------------|
| Length | 3.050,00 mm |
| Width | 600,00 mm |
| Height | 60,00 mm |
| Side height | 60,00 mm |
| Dimension B | 600,00 mm |
| Dimension L | 480,00 mm |
| Dimension x | 496,00 mm |
| Dimension y | 562,00 mm |
| Plate thickness | 1,00 mm |

Appr. load:

| | |
|-----------------------|-----------|
| Support spacing 1.5 m | 1,50 kN/m |
| Support spacing 2.0 m | 1,00 kN/m |
| Support spacing 2.5 m | 0,70 kN/m |

Load diagram, cable tray, type MKSM 60



- 1 Permitted cable tray/ladder load in kN/m without man load
- 2 Support width in m
- 3 Rail bend in mm at permitted kN/m
- 4 Load scheme during testing
- Load curve with cable tray/ladder width in mm
- Strut bend curve according to support width