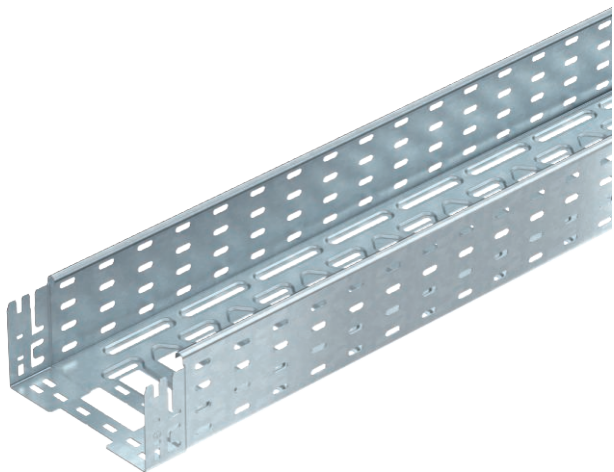


Technical data sheet

Cable tray MKS-Magic® 110

Item no. 6059177



Cable tray with integrated quick fastening system. The usable length of the cable tray is 3,000 mm.
 The cable tray has continuous side perforations of 7 x 20 mm for the installation of additional connection and mounting components.
 From a cable tray width of 200 mm with 30% hole surface, suitable for use under sprinkler systems according to VdS guideline 2092.
 Continuous equipotential bonding is guaranteed without additional components.



- St** Steel
- FT** Hot-dip galvanised

Master data

| | |
|--------------------------|-----------------------------|
| Item no. | 6059177 |
| Type | MKSM 120 FT |
| Description 1 | Cable tray MKSM |
| Description 2 | perforated, quick connector |
| Manufacturer | OBO |
| Dimension | 110x200x3050 |
| Material | Steel |
| Material symbol | St |
| Surface | Hot-dip galvanised |
| Surface to DIN | DIN EN ISO 1461 |
| Surface symbol | FT |
| Smallest sales unit (VG) | 3 m |
| Weight | 322,23 kg/100 m |

Technical data

| | | |
|--|--|-------------------------------------|
| | Usable cross-section | 21.800,00 mm ² |
| | Usable cross-section | 218,00 cm ² |
| | Suitable for maintaining electrical function | <input type="checkbox"/> |
| | Connector version | Integrated connector |
| | With cover | <input type="checkbox"/> |
| | Mounting perforation in base | <input checked="" type="checkbox"/> |
| | NATO hole pattern | <input type="checkbox"/> |
| | Rustproof steel, pickled | <input type="checkbox"/> |
| | Side perforation | <input checked="" type="checkbox"/> |
| | Wide-span version | <input type="checkbox"/> |

Technical data sheet

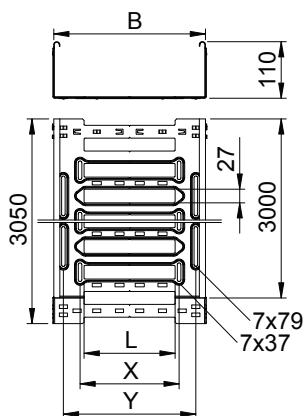
Cable tray MKS-Magic® 110

Item no. 6059177



Technical data

Dimensions

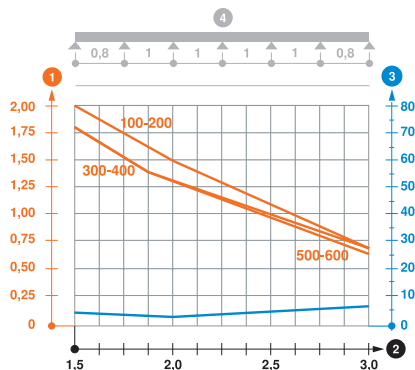


| | |
|-----------------|-------------|
| Length | 3.050,00 mm |
| Width | 200,00 mm |
| Height | 110,00 mm |
| Side height | 110,00 mm |
| Dimension B | 200,00 mm |
| Dimension L | 80,00 mm |
| Dimension x | 96,00 mm |
| Dimension y | 162,00 mm |
| Plate thickness | 1,00 mm |

Appr. load:

| | |
|-----------------------|-----------|
| Support spacing 1.5 m | 2,00 kN/m |
| Support spacing 2.0 m | 1,50 kN/m |
| Support spacing 2.5 m | 1,07 kN/m |
| Support spacing 3.0 m | 0,70 kN/m |

Load diagram, cable tray, type MKSM 110



- 1 Permitted cable tray/ladder load in kN/m without man load
- 2 Support width in m
- 3 Rail bend in mm at permitted kN/m
- 4 Load scheme during testing
- Load curve with cable tray/ladder width in mm
- Strut bend curve according to support width