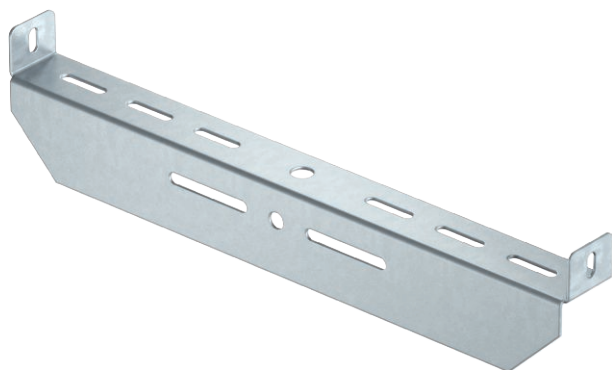


Technical data sheet

Centre suspension, universal

Item no. 6358900



Universal centre suspension for fastening to threaded rods and supports.
Preferred use of this centre suspension in combination with cable ladders and mesh cable trays.

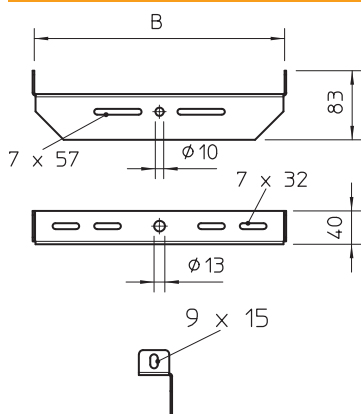


- St** Steel
- FT** Hot-dip galvanised

Master data

Item no.	6358900
Type	MAHU 600 FT
Description 1	Centre suspension
Description 2	universal
Dimension	B600mm
Material	Steel
Material symbol	St
Surface	Hot-dip galvanised
Surface to DIN	DIN EN ISO 1461
Surface symbol	FT
Smallest sales unit (VG)	1 Piece
Weight	107,00 kg/100 pc.

Technical data



Width	600,00 mm
for threaded rod	M12
For metric threaded rod	12
Adjustable	<input type="checkbox"/>