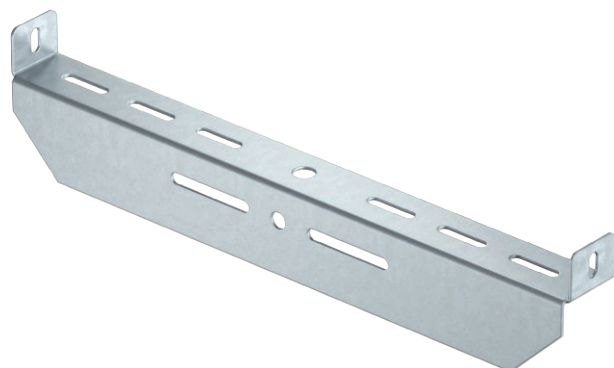


# Technical data sheet

## Centre suspension, universal

Item no. 6358884



Universal centre suspension for fastening to threaded rods and supports.  
Preferred use of this centre suspension in combination with cable ladders and mesh cable trays.

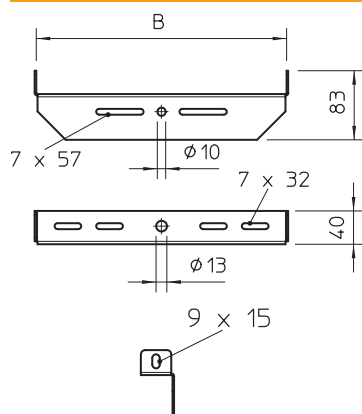


- St** Steel
- FT** Hot-dip galvanised

### Master data

Item no.	6358884
Type	MAHU 200 FT
Description 1	Centre suspension
Description 2	universal
Dimension	B200mm
Material	Steel
Material symbol	St
Surface	Hot-dip galvanised
Surface to DIN	DIN EN ISO 1461
Surface symbol	FT
Smallest sales unit (VG)	1 Piece
Weight	28,70 kg/100 pc.

### Technical data



Width	200,00 mm
for threaded rod	M12
For metric threaded rod	12
Adjustable	<input type="checkbox"/>