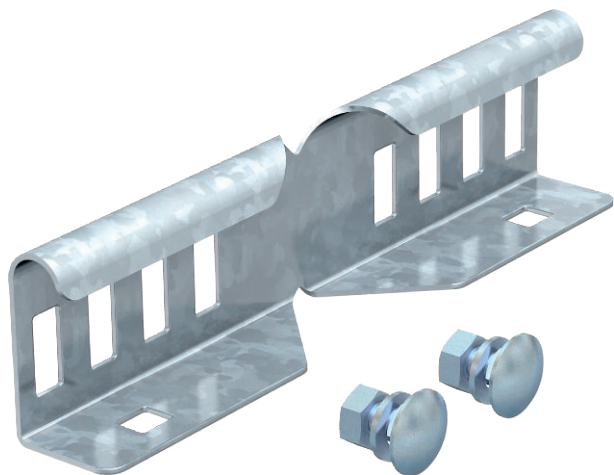


Technical data sheet

Angle connector 45

Item no. 6200882



Angle connector as external connector to join cable ladders and fittings with a side height of 45 mm and continuous rail perforation.



St	Steel
FS	Strip galvanised

Additional product text, instruction | The bolt fastening ensures the continuity of the equipotential bonding.

Master data

Item no.	6200882
Type	LWVG 45 FS
Description 1	Angle connector
Description 2	for cable ladder
Dimension	49x200
Material	Steel
Material symbol	St
Surface	Strip galvanised
Surface to DIN	DIN EN 10346
Surface symbol	FS
Smallest sales unit (VG)	10,00 Piece
Weight	17,60 kg/100 pc.

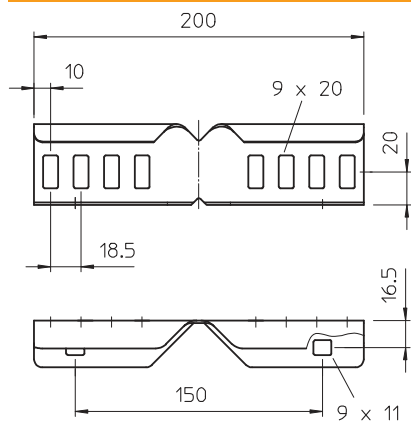
Technical data sheet

Angle connector 45

Item no. 6200882



Technical data



Length	200,00 mm
Height	49,00 mm
Side height	45,00 mm
Dimension	49x200 mm
Version	Angle connector
Plate thickness	1,50 mm
Suitable for cable tray	<input type="checkbox"/>
Suitable for mesh cable tray	<input type="checkbox"/>
Suitable for cable ladder	<input checked="" type="checkbox"/>
Suitable for maintaining electrical function	<input type="checkbox"/>
Adjustable connector, horizontal	<input type="checkbox"/>
Adjustable connector, vertical	<input type="checkbox"/>
Rustproof steel, pickled	<input type="checkbox"/>
Connection type	Screw connector