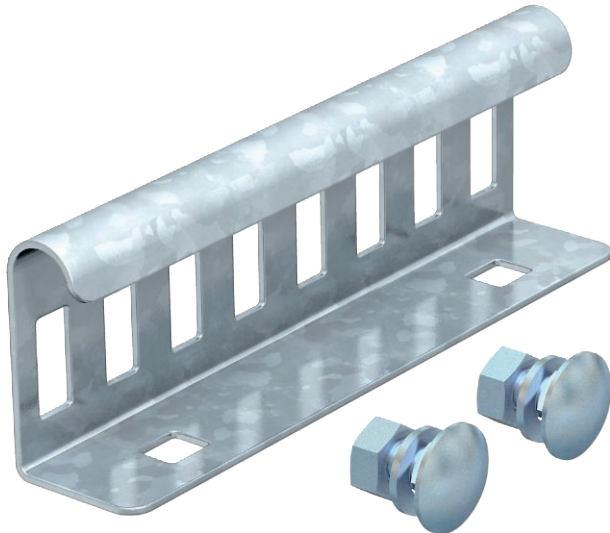


Technical data sheet

Straight connector 45

Item no. 6200832



Straight connector as external connector to connect cable ladders and fittings with a side height of 45 mm and continuous side perforation.

The bolt fastening ensures the continuity of the equipotential bonding.



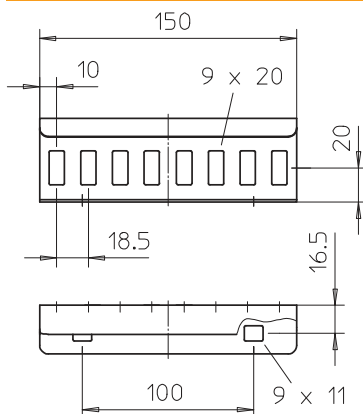
St Steel

FS Strip galvanised

Master data

Item no.	6200832
Type	LVG 45 FS
Description 1	Straight connector
Description 2	for cable ladder
Dimension	49x150
Material	Steel
Material symbol	St
Surface	Strip galvanised
Surface to DIN	DIN EN 10346
Surface symbol	FS
Smallest sales unit (VG)	10 Piece
Weight	19,00 kg/100 pc.

Technical data



Length	150,00 mm
Height	49,00 mm
Side height	45,00 mm
Dimension	49x150 mm
Version	Straight connector
Plate thickness	1,50 mm
Suitable for cable tray	<input type="checkbox"/>
Suitable for mesh cable tray	<input type="checkbox"/>
Suitable for cable ladder	<input checked="" type="checkbox"/>
Suitable for maintaining electrical function	<input type="checkbox"/>
Adjustable connector, horizontal	<input type="checkbox"/>
Adjustable connector, vertical	<input type="checkbox"/>
Rustproof steel, pickled	<input type="checkbox"/>
Connection type	Screw connector