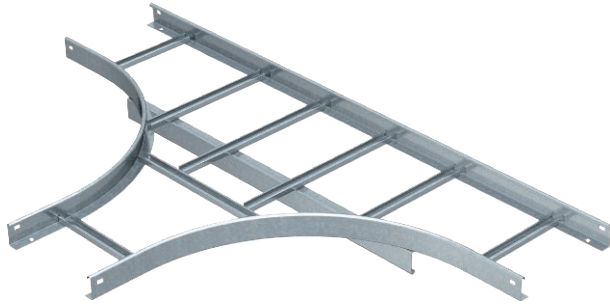


Technical data sheet

T piece VS 60

Item no. 6213863



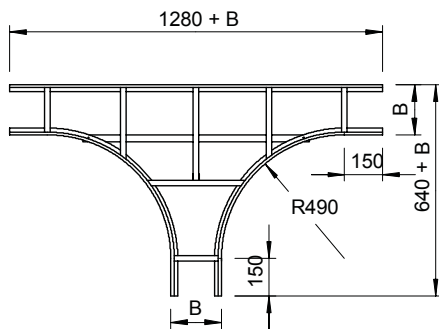
- St** Steel
- FT** Hot-dip galvanised

Tee, horizontal, for cable ladders with medium-duty rungs (VS) and a side height of 60 mm.
Connectors should be ordered separately and in the appropriate quantity.
Additional widths are available on request.

Master data

Item no.	6213863
Type	LT 660 VS FT
Description 1	Tee
Description 2	for cable ladder with VS rung
Dimension	60x600
Material	Steel
Material symbol	St
Surface	Hot-dip galvanised
Surface to DIN	DIN EN ISO 1461
Surface symbol	FT
Smallest sales unit (VG)	1 Piece
Weight	1.160,00 kg/100 pc.

Technical data



Width	600,00 mm
Side height	60,00 mm
Dimension R	490,00 mm
Rung version	Profile unperforated
Side rail version	Flat profile
Shape	Exit symmetrical
Suitable for maintaining electrical function	<input type="checkbox"/>
Rail thickness	1,50 mm
Rustproof steel, pickled	<input type="checkbox"/>
Wide-span version	<input type="checkbox"/>