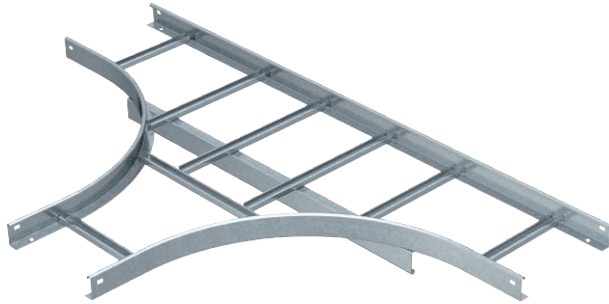


Technical data sheet

T piece VS 60

Item no. 6213774



Tee, VS rung, side height 60 mm, horizontal, for cable ladders with medium-duty rungs (VS) and a side height of 60 mm.



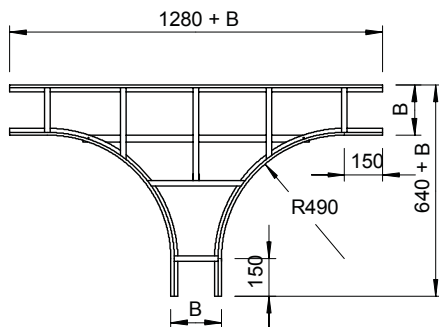
St	Steel
FS	Strip galvanised

Additional product text, instruction	Connectors should be ordered separately and in the appropriate quantity.
Additional product text 2	Additional widths are available on request.

Master data

Item no.	6213774
Type	LT 660 VS FS
Description 1	Tee
Description 2	for cable ladder with VS rung
Dimension	60x600
Material	Steel
Material symbol	St
Surface	Strip galvanised
Surface to DIN	DIN EN 10346
Surface symbol	FS
Smallest sales unit (VG)	1,00 Piece
Weight	1.094,00 kg/100 pc.

Technical data



Width	600,00 mm
Side height	60,00 mm
Dimension B	600,00 mm
Dimension R	490,00 mm
Rung version	Profile unperforated
Side rail version	Flat profile
Shape	Exit symmetrical
Suitable for maintaining electrical function	<input type="checkbox"/>
Rail thickness	1,50 mm
Rustproof steel, pickled	<input type="checkbox"/>
Wide-span version	<input type="checkbox"/>