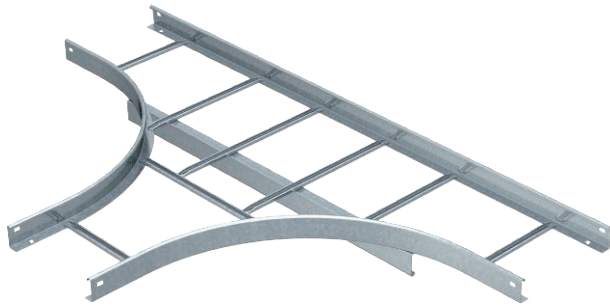


# Technical data sheet

## T piece NS 60

Item no. 6213634



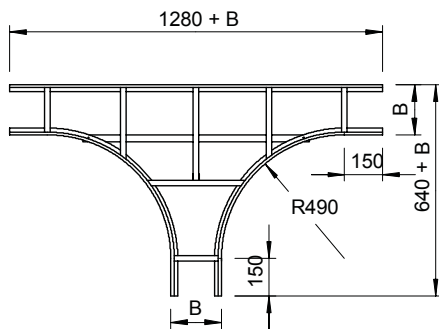
- St Steel
- FT Hot-dip galvanised

Horizontal t, for cable ladders with light-duty rungs (NS) and a side height of 60 mm.  
Connectors should be ordered separately and in the appropriate quantity.  
Additional widths are available on request.

### Master data

Item no.	6213634
Type	LT 620 NS FT
Description 1	Tee
Description 2	for cable ladder with NS rung
Dimension	60x200
Material	Steel
Material symbol	St
Surface	Hot-dip galvanised
Surface to DIN	DIN EN ISO 1461
Surface symbol	FT
Smallest sales unit (VG)	1 Piece
Weight	656,40 kg/100 pc.

### Technical data



Width	200,00 mm
Side height	60,00 mm
Dimension R	490,00 mm
Rung version	Profile unperforated
Side rail version	Flat profile
Shape	Exit symmetrical
Suitable for maintaining electrical function	<input type="checkbox"/>
Rail thickness	1,50 mm
Rustproof steel, pickled	<input type="checkbox"/>
Wide-span version	<input type="checkbox"/>