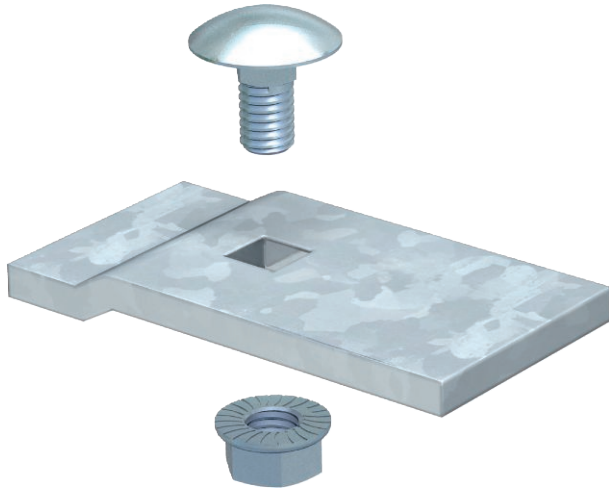


Technical data sheet

LKS 60/4 hold-down clamp

Item no. 6221122



Hold-down clamp for fastening cable ladders.

Fastening on brackets, type MWA 12, AW 15, AW 30 and AW 55, using the enclosed truss-head bolt FRS M6x20.



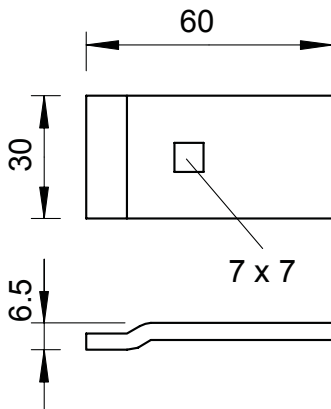
St Steel

FT Hot-dip galvanised

Master data

Item no.	6221122
Type	LKS 60 4 FT
Description 1	Hold-down clamp
Description 2	for cable ladder LG110
Dimension	60x30
Material	Steel
Material symbol	St
Surface	Hot-dip galvanised
Surface to DIN	DIN EN ISO 1461
Surface symbol	FT
Smallest sales unit (VG)	10 Piece
Weight	6,50 kg/100 pc.

Technical data



Side height | 110,00 mm