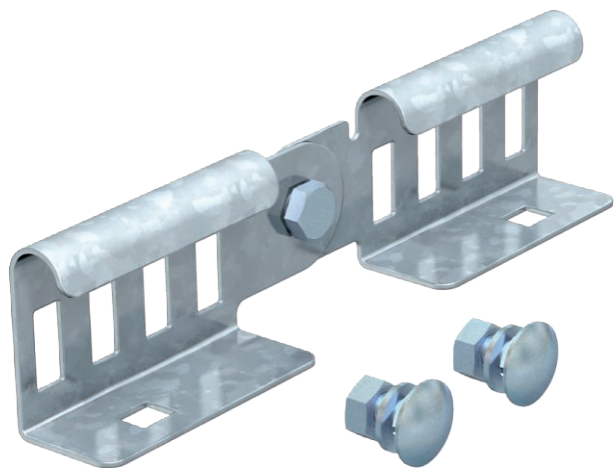


Technical data sheet

Adjustable connector 45

Item no. 6200926



Adjustable connector as external connector to join cable ladders and fittings with a side height of 45 mm and continuous rail perforation. Angle can be adjusted vertically.

The bolt fastening ensures the continuity of the equipotential bonding.

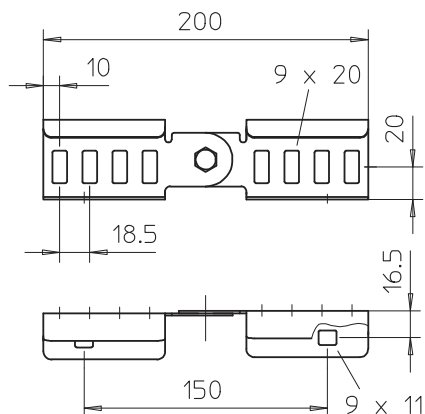


- St** Steel
- FS** Strip galvanised

Master data

Item no.	6200926
Type	LGVG 45 FS
Description 1	Adjustable connector
Description 2	for cable ladder
Dimension	49x200
Material	Steel
Material symbol	St
Surface	Strip galvanised
Surface to DIN	DIN EN 10346
Surface symbol	FS
Smallest sales unit (VG)	10 Piece
Weight	23,30 kg/100 pc.

Technical data



Height	49,00 mm
Side height	45,00 mm
Dimension	49x200 mm
Plate thickness	1,50 mm
Suitable for cable tray	<input type="checkbox"/>
Suitable for mesh cable tray	<input type="checkbox"/>
Suitable for cable ladder	<input checked="" type="checkbox"/>
Adjustable connector, horizontal	<input type="checkbox"/>
Adjustable connector, vertical	<input checked="" type="checkbox"/>
Rustproof steel, pickled	<input type="checkbox"/>
Connection type	Screw connector