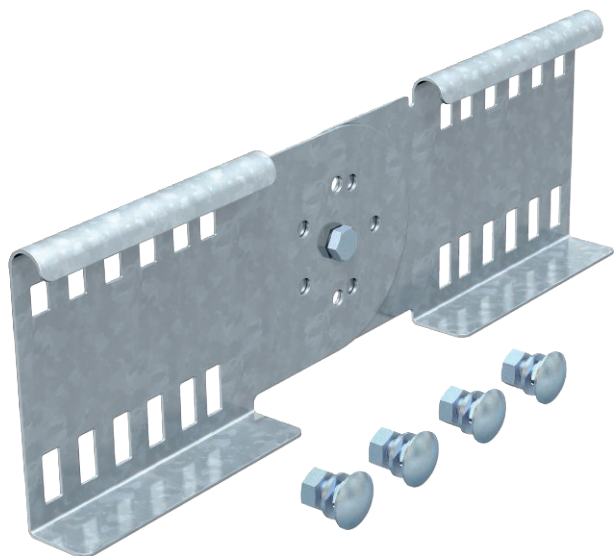


Technical data sheet

Adjustable connector 110

Item no. 6216653



Adjustable connector as internal connector to join cable ladders and fittings with a side height of 110 mm. Angle can be adjusted vertically.

The bolt fastening ensures the continuity of the equipotential bonding.

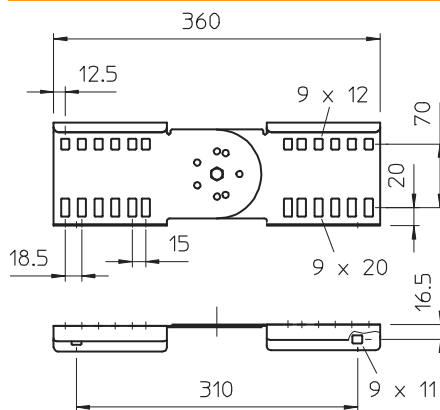


- St** Steel
- FT** Hot-dip galvanised

Master data

Item no.	6216653
Type	LGVG 110 FT
Description 1	Adjustable connector
Description 2	for cable ladder
Dimension	114x360
Material	Steel
Material symbol	St
Surface	Hot-dip galvanised
Surface to DIN	DIN EN ISO 1461
Surface symbol	FT
Smallest sales unit (VG)	10 Piece
Weight	82,10 kg/100 pc.

Technical data



Length	360,00 mm
Width	28,00 mm
Height	110,00 mm
Side height	110,00 mm
Dimension	314x360 mm
Version	Straight and angle connector
Plate thickness	1,50 mm
Suitable for cable tray system height	110,00 mm
Suitable for cable tray	<input type="checkbox"/>
Suitable for mesh cable tray	<input type="checkbox"/>
Suitable for cable ladder	<input checked="" type="checkbox"/>
Adjustable connector, horizontal	<input type="checkbox"/>
Adjustable connector, vertical	<input checked="" type="checkbox"/>
Rustproof steel, pickled	<input type="checkbox"/>
Connection type	Screw connector