

Technical data sheet

90° bend 45

Item no. 6203035



90° bend, horizontal, for all cable ladder types of 45 mm side height.



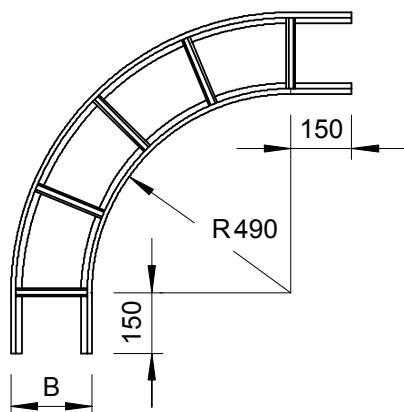
| | |
|-----------|------------------|
| St | Steel |
| FS | Strip galvanised |

Additional product text, instruction | Connectors should be ordered separately and in the appropriate quantity.

Master data

| | |
|--------------------------|-------------------------------|
| Item no. | 6203035 |
| Type | LBI 90 430 NS FS |
| Description 1 | 90° bend |
| Description 2 | for cable ladder with NS rung |
| Dimension | 45x300 |
| Material | Steel |
| Material symbol | St |
| Surface | Strip galvanised |
| Surface to DIN | DIN EN 10346 |
| Surface symbol | FS |
| Smallest sales unit (VG) | 1,00 Piece |
| Weight | 275,80 kg/100 pc. |

Technical data



| | |
|--|--------------------------|
| Width | 300,00 mm |
| Side height | 45,00 mm |
| Dimension R | 490,00 mm |
| Bend (angle) | 90° |
| Connector version | Without connectors |
| Rung version | Profile unperforated |
| Side rail version | Flat profile |
| Suitable for maintaining electrical function | <input type="checkbox"/> |
| Rail thickness | 1,50 mm |
| Change of direction | Horizontal |
| Rustproof steel, pickled | <input type="checkbox"/> |
| Hinged | <input type="checkbox"/> |
| Side perforation | <input type="checkbox"/> |
| Wide-span version | <input type="checkbox"/> |