

Technical data sheet

Identification clip

Item no. 6017713



Identification clip for screwless fastening on mesh cable trays.

The identification clip is fastened to the mesh cable tray without screws simply by attaching it.

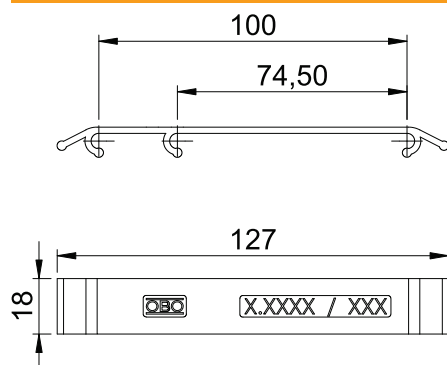


PA Polyamide

Master data

Item no.	6017713
Type	KS GR ZGB
Description 1	Identification plate
Description 2	for mesh cable trays
Dimension	127x18
Colour	Zinc yellow
RAL number	1018
Material	Polyamide
Material symbol	PA
Smallest sales unit (VG)	10 Piece
Weight	0,74 kg/100 pc.

Technical data



Length	127,00 mm
Width	18,00 mm
Fastening, self-adhesive	<input type="checkbox"/>
With warning/information symbol	<input type="checkbox"/>
With warning/information text	<input checked="" type="checkbox"/>
Phosphorescent	<input type="checkbox"/>